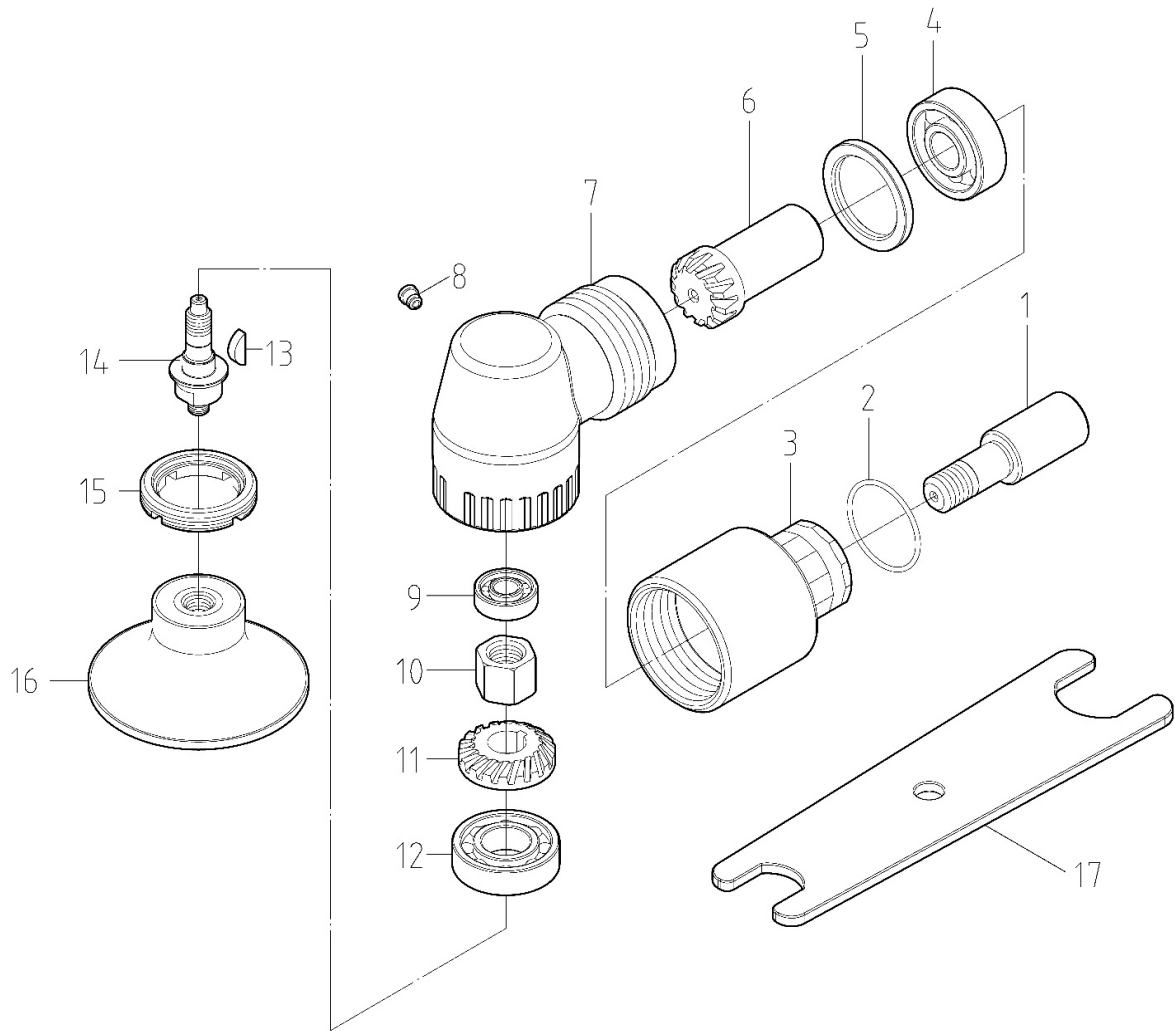


# AS-1283 0.3 HP Minimal Angle Disc Sander



## PART LIST

NO.	CODE NO.	PARTS NAME (ENG)	Q'TY	NO.	CODE NO.	PARTS NAME	Q'TY
1	2-025128301	Anvil	1				
2	2-916015010	O-Ring	1				
3	2-035128303	Lock Nut	1				
4	2-902608-06	Ball Bearing	1				
5	2-016124601	Washer	1				
6	2-078124601	Driving Gear Spindle	1				
7	2-073112501	Angle Housing	1				
8	2-91503	Oil Drop	1				
9	2-902695-02	Ball Bearing	1				
10	2-035108003	Lock Nut	1				
11	2-079108001	Bevel Gear	1				
12	2-9026900-04	Ball Bearing	1				
13	2-9130208	Key	1				
14	2-025123501	Anvil	1				
15	2-017108002	Cylinder Set Screw	1				
16	3-561106002	Pad	1				
17	3-576106101	Wrench	1				