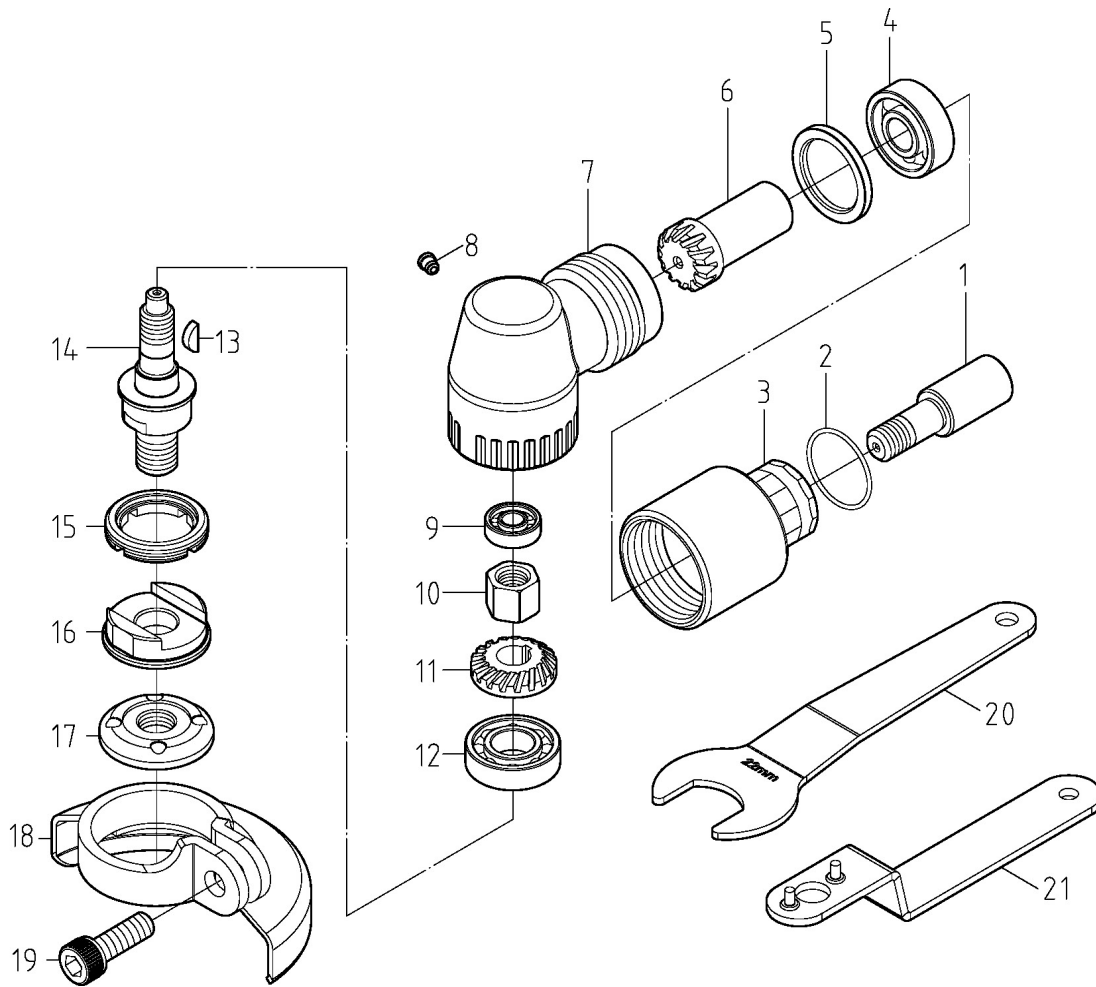


# AG-1283 0.3 HP Minimal Angle Grinder / Cutoff tool



## PART LIST

NO.	CODE NO.	PARTS NAME (ENG)	Q'TY	NO.	CODE NO.	PARTS NAME (ENG)	Q'TY
1	2-025128301	Anvil	1	21	3-579108001	Wrench	1
2	2-916015010	O-Ring	1				
3	2-035128303	Lock Nut	1				
4	2-902608-06	Ball Bearing	1				
5	2-016124601	Washer	1				
6	2-078124601	Driving Gear Spindle	1				
7	2-073112501	Angle Housing	1				
8	2-91503	Oil Drop	1				
9	2-902695-02	Ball Bearing	1				
10	2-035108003	Lock Nut	1				
11	2-079108001	Bevel Gear	1				
12	2-9026900-04	Ball Bearing	1				
13	2-9130208	Key	1				
14	2-025110401	Anvil	1				
15	2-017108002	Cylinder Set Screw	1				
16	2-018124701	Bushing	1				
17	2-035124701	Lock Nut	1				
18	2-082110403	Wheel Guard	1				
19	2-91906018	Screw	1				
20	3-576108001-22	Wrench	1				