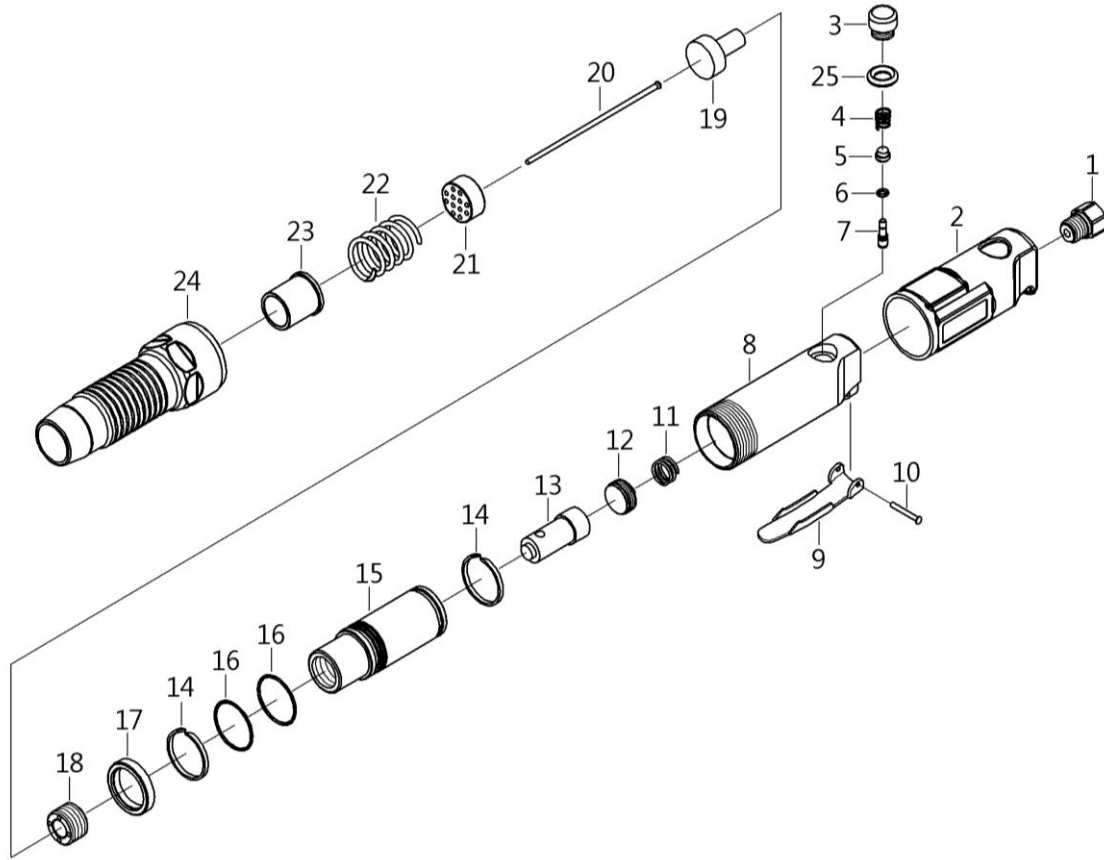


NEEDLE SCALER (12 NEEDLES)



PARTS LIST

NO	PARTS NO	DESCRIPTION	Q'TY
01	70426	AIR INLET	1
02	HM20102	PROTECTING RUBBER	1
03	70427	SCREW	1
04	70428	SPRING	1
05	70429	VALVE STEM BUSHING	1
06	OB-04	O-RING (3.5*1.4)	1
07	HM20107	VALVE STEM	1
08	HM20108	HOUSING	1
09	70013BK	LEVER	1
10	70432BK	SPRING PIN (3*24)	1
11	HM20111	SPRING (34*2.8*16L)	1
12	HM20112	REAR VALVE BLOCK	1
13	HM20113	PISTON	1

HNS-201

DEC. 2023

NO	PARTS NO	DESCRIPTION	Q'TY
14	HM20114-1	WEAR RING (3*1.5*103L)	2
15	HM20115	CYLINDER	1
16	HM20116	O-RING (32*1.5)	2
17	HM20117	RUBBER RING	1
18	HM20118	CHISEL BUSHING	1
19	HM20119	NEEDLE DRIVER	1
20	HM20120	NEEDLE (180L)	12
21	HM20121	NEEDLE HOLDER	1
22	HM20122	NEEDLE HOLDER SPRING	1
23	HM20123	NEEDLE BUSHING	1
24	HM20124	NEEDLE TUBE	1
25	50331	O-RING (P10)	1

Consumable parts No. 20: (12 pcs)