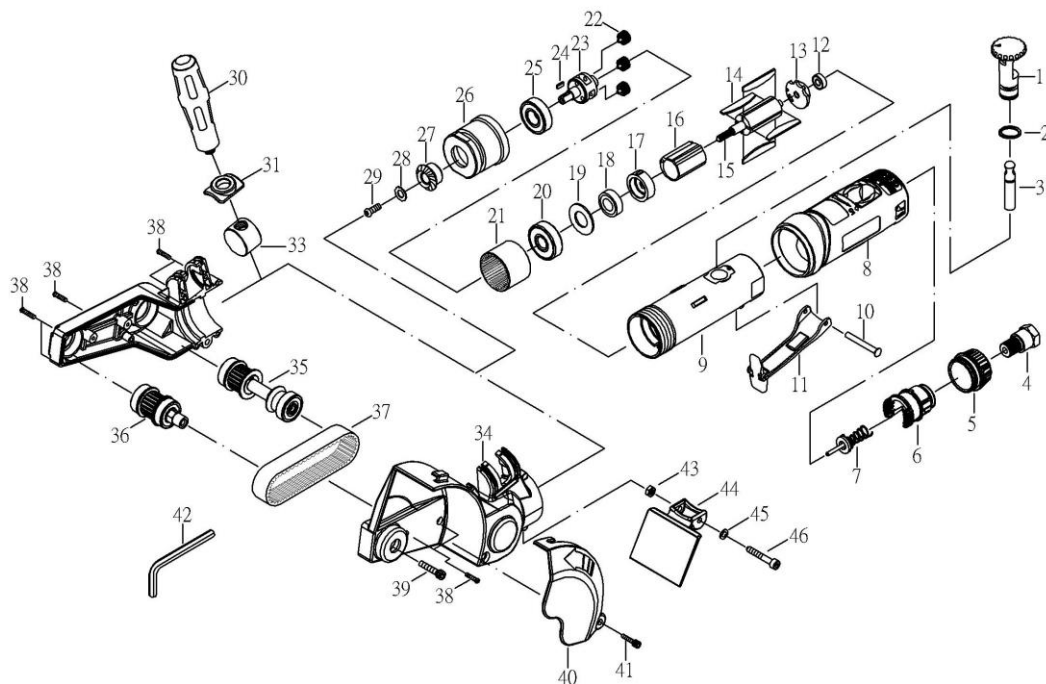


REMOVE-PRO TOOL



PARTS LIST

NO	PART NO	DESCRIPTION	Q'T Y
1	ST200A37AS	REGULATOR SET	1
2	OB-30	SNAP RING	1
3	ST200A33AAS	VALVE STEM SET	1
4	ST200A09	AIR INLET	1
5	ST20010BAS	EXHAUST SLEEVE SET	1
6	ST20022B	CONE MUFFLER	1
7	ST200A44AS	VALVE SET	1
8	ST-200A14BG	PROTECTING RUBBER	1
9	ST200A15	HOUSING	1
10	12012.1	SPRING PIN	1
11	ST200A13	LEVER	1
12	20312	BEARING(696ZZ)	1
13	ST70017	REAR PLATE	1
14	20019	ROTOR BLADE	4
15	ST165021	ROTOR (9T)	1
16	ST288322AS	CYLINDER SET	1
17	ST70023	FRONT PLATE	1
18	21024	BEARING(608ZZ)	1
19	50310	WASHER	1
20	OB-31	BEARING(6001Z)	1
21	ST28027	THREAD RING GEAR	1
22	ST165029AS	IDLER GEAR SET (16T)	3
23	ST246631A	GEAR PLATE	1

HMSR-280

DEC. 2023

NO	PART NO	DESCRIPTION	Q'T Y
24	ST246632	SLIDING KEY	1
25	24531A	BEARING (6200ZZ)	1
26	ST28034	CLAMP NUT	1
27	ST246635	BEVEL GEAR	1
28	ST246636	WASHER	1
29	ST288542	SCREW	1
30	BT87044-1	HANDLE	1
31	ST28048	HANDLE RING	1
33	ST28047AS	NUT SET	1
34	ST28038R.L	PLASTIC HOUSING	1
35	ST246642AS	BELT DRIVE SHAFT SET	1
36	ST246645.1AS	BELT DRIVE SHAFT SET (M6)	1
37	ST246643	TOOTHED BELT	1
38	ST246646	SCREW (3*18L)	11
39	BT246659.1	SCREW (M6*25L)	1
40	ST28054	COVER	1
41	2HG-52	SCREW	1
42	60929	HEX (5MM)	1
43	ST21538	NUT	1
44	ST28066	STOP BOARD	1
45	81448	WASHER	1
46	BT246652-4	SCREW	1

Consumable parts No. 12, 14, 18, 20, 21, 22, 27, 35, 36, 37