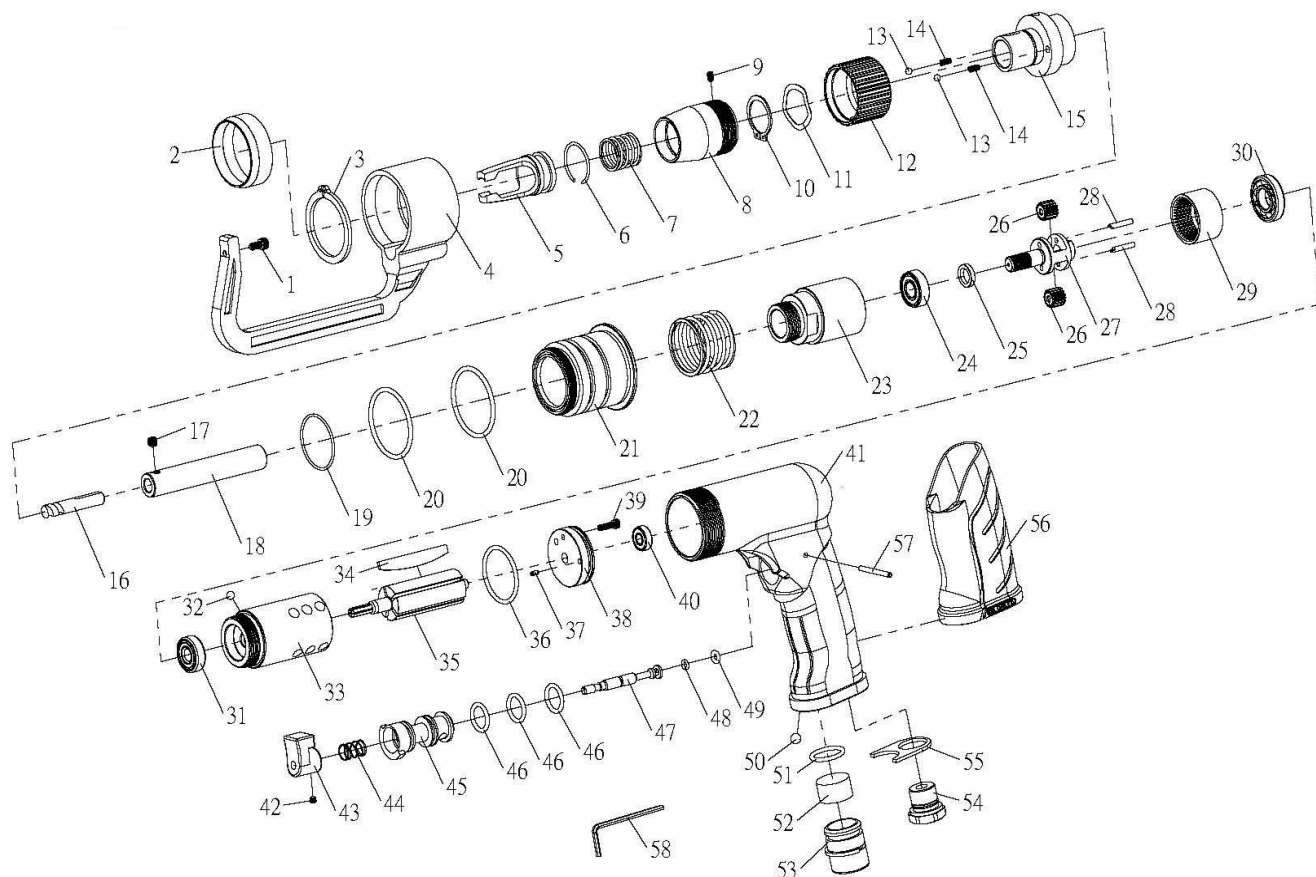


SPOT WELD DRILL W/ HOOK



HDR-317HB

Consumable Parts: No. 6, 7, 26, 34

INDEX NO.	PARTS.NO.	DESCRIPTION	Q'TY
1	H1-0408	Screw	1
2	317HN47	Lock Nut	1
3	317HN48	Retaining Ring	1
4	317HN50	Arm (2")	1
5	317042	Supporter	1
6	317041	Retainer	1
7	317040	Spring	1
8	317HN39	Attachment	1
9	H2-0406	Set Screw (M4x6)	1
10	S-022	Retaining Ring (S22)	1
11	317034	Wave Washer	1
12	317033#R	Nut	1
13	SB-005	Ball (Ø4)	2
14	309A41	Spring	2
15	317HN26	Gear Housing	1
16	317043	8mm Drill Bits	1
17	H2-0505	Set Screw (M5x5)	1
18	317036	Bit Holder	1
19	P-32150	O-Ring (ID32x1.5)	1
20	P-3935-2.62	O-Ring (ID39.35x2.62)	2
21	317HB17	Clamp Nut	1
22	317HN23	Spring	1
23	317HN25	Gear Case	1
24	B-R6T	Ball Bearing	1
25	317027	Washer	1
26	317025	Planet Gear	1
27	317024	Planet Carrier	1
28	317026	Pin (Ø3x17.8)	1
29	317029	Internal Gear	1

INDEX NO.	PARTS.NO.	DESCRIPTION	Q'TY
30	B-R8T(EE4)	Ball Bearing	1
31	B-608T	Ball Bearing	1
32	SB-050M	Ball (Ø5)	1
33	317HN20	Cylinder	1
34	317016	Rotor Blades	5
35	317017	Rotor	1
36	317HN17	O-Ring (ID31.5x2.4)	1
37	SPP-25050	Spring Pin (Ø2.5x5)	1
38	317HN16	Rear Plate	1
39	H1-0312	Set Screw (M3x12L)	1
40	B-696T	Ball Bearing (696ZZ)	1
41	317HD01P	Housing	1
42	H2-0404	Set Screw (M4x4)	1
43	317012	Trigger	1
44	305021	Valve Spring	1
45	317010	Valve Bushing	1
46	P-14	O-Ring (ID13.8x2.4)	3
47	317008	Valve Stem	1
48	P-0035	O-Ring (ID3.5x1.5)	1
49	P-3935-2.62	O-Ring (ID3.9x2.25x2)	1
50	SB-008	Steel Ball (1/4")	1
51	P-18	O-Ring (ID17.8x2.4)	1
52	XPA0068	Muffler Insert	1
53	317HD65	Muffler Nut	1
54	306003	Air Inlet	1
55	317HD66	Muffler Retainer	1
56	317HD02	Housing Cover	1
57	NR-30318	Pin (Ø3x31.8)	1
58	L2-2.5MM	Hex. Wrench (2.5MM)	1