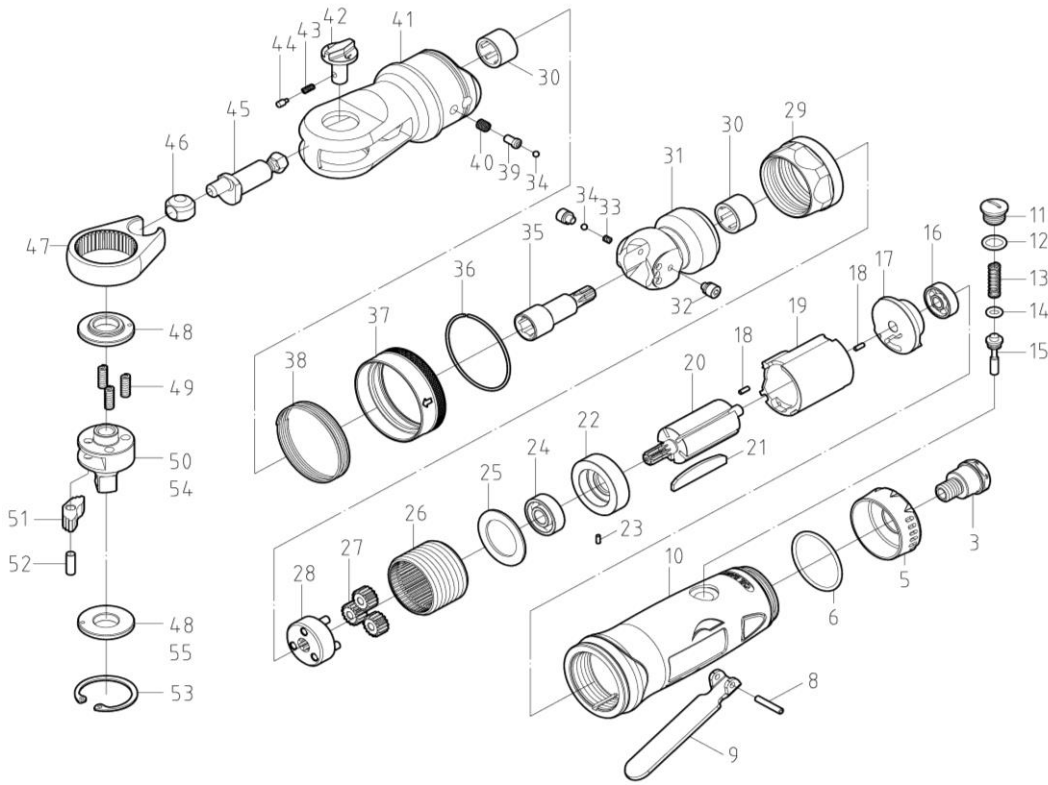


RATCHET WRENCH EXPLODED VIEW



PART LIST (零件清單)

NO.	CODE NO.	PARTS NAME (ENG)	UNIT PRICE (US\$/PC) (FOB Taiwan)	Q'TY
3	2-005114501	Air Inlet	1.3	1
	2-005114501-02	Air Inlet	1.3	1
5	2-004112701	Exhaust Deflector	0.8	1
6	2-916029515	O-Ring	0.2	1
8	2-9283016	Spring Pin	0.2	1
9	2-030101402	Trigger	1.6	1
10	2-001112701	Housing	10.1	1
11	2-049105201	Screw	0.5	1
12	2-916008819	O-Ring	0.2	1
13	2-007112701	Spring Pin	0.3	1
14	2-916004819-02	O-Ring	0.3	1
15	2-010112701	Pin Valve Rod	0.7	1
16	2-902626-05	Ball Bearing	0.8	1
17	2-011112701	Rear Plate	1.1	1
18	2-9282505	Spring Pin	0.2	2
19	2-012112701	Cylinder	2.2	1
20	2-013114701	Rotor	6.4	1
21	2-014112701	Blade	0.3	5
22	2-015113001	Front Plate	1.3	1
23	2-91702005	Pin	0.2	1
24	2-902608-06	Ball Bearing	0.8	1
25	2-016102201	Washer	0.3	1
26	2-034103302	Internal Gear	1.4	1
27	2-036102201	Gear	1.1	3
28	2-037103301	Gear Carrier	0.9	1
29	2-035114701	Lock Nut	3	1
30	2-9011212	Needle Bearing	0.7	2
31	2-055110801	Seat Ratchet Housing	15.7	1
32	2-049110801	Screw	0.5	2

NO.	CODE NO.	PARTS NAME (ENG)	UNIT PRICE (US\$/PC) (FOB Taiwan)	Q'TY
33	2-007103301	Spring	0.2	1
34	2-9180300	Steel Ball	0.2	2
35	2-025102301	Anvil	3	1
36	2-029110801	Snap Ring	0.4	1
37	2-028110801	Bit Sleeve	5.4	1
38	2-007110802	Spring	0.5	1
39	2-054110801	Pin	0.6	1
40	2-007110801	Spring	0.3	1
41	2-038110801	Ratchet Housing	23.8	1
42	2-031105202	Reverse Lever	0.6	1
43	2-007105202	Spring	0.2	1
44	2-046105201	Lock Pin	0.4	1
45	2-039102302	Eccentric Shaft	3.7	1
46	2-040102201	Drive Bushing	0.7	1
47	2-043103301	Yoke	2.7	1
49	2-007105203	Spring	0.2	3
51	2-041101801	Ratchet Pawl	1	1
52	2-91704513	Pin	0.2	1
53	2-908030	Retaining Ring	0.2	1
3/8"D頭				
48	2-048105201	Thrust Washer(3/8")	0.9	2
50	2-047105201	Anvil(3/8")	3.5	1
1/2"D頭				
48	2-048105201	Thrust Washer(3/8")	0.9	1
54	2-047105202	Anvil(1/2")	3.6	1
55	2-048105202	Thrust Washer(1/2")	0.9	1

Consumable parts No. 12, 14, 21, 26, 27, 32, 33, 34, 39, 40, 48, 49, 51, 52, 53

HRW-1147-4

DEC. 2023