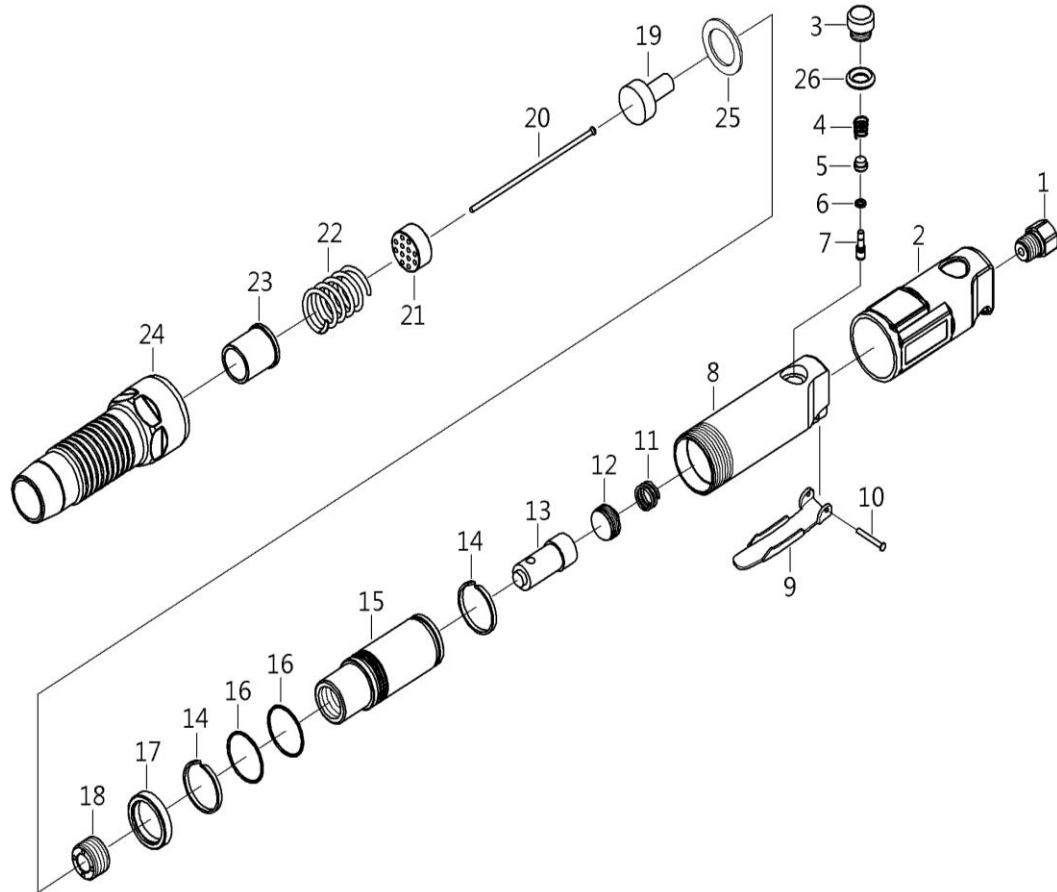


NEEDLE SCALER (19 NEEDLES)



PARTS LIST

NO	PARTS NO	DESCRIPTION	Q'TY	UNIT PRICE (US\$/PC) (FOB Taiwan)
01	70426	AIR INLET	1	1.4
02	HM20202	PROTECTING RUBBER	1	2.9
03	70427	SCREW	1	0.6
04	70428	SPRING	1	0.3
05	70429	VALVE STEM BUSHING	1	0.3
06	OB-04	O-RING	1	0.3
07	HM20207	VALVE STEM	1	0.9
08	HM20208	HOUSING	1	11
09	70013BK	LEVER	1	1.6
10	70432BK	SPRING PIN (3*24)	1	0.3
11	HM20211	SPRING (34*16L)	1	1.3
12	HM20212	REAR VALVE BLOCK	1	2.9
13	HM20213	PISTON	1	5.4

Consumable parts No. 20: US\$ 7.4/ set (19 pcs)

HNS-202

DEC. 2023

NO	PARTS NO	DESCRIPTION	Q'TY	UNIT PRICE (US\$/PC) (FOB Taiwan)
14	HM20214-1	WEAR RING (3*1.5*110L)	2	2.7
15	HM20215	CYLINDER	1	40.2
16	HM20216	O-RING	2	0.7
17	HM20217	RUBBER RING	1	1.6
18	HM20218	CHISEL BUSHING	1	2.7
19	HM20219	NEEDLE DRIVER	1	8.5
20	HM20220	NEEDLE (180L)	19	7.4
21	HM20221	NEEDLE HOLDER	1	6
22	HM20222	NEEDLE HOLDER SPRING	1	1.7
23	HM20223	NEEDLE BUSHING	1	3.5
24	HM20224	NEEDLE TUBE	1	12.7
25	HM20225	WASHER	1	1.3
26	50331	O-RING (P11)	1	0.3