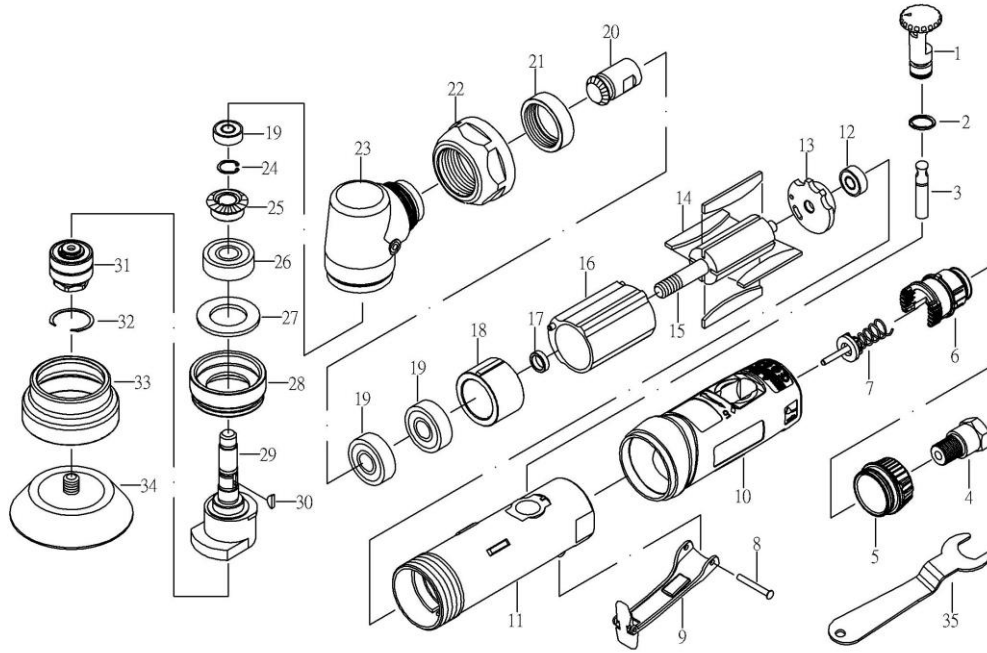


3" ORBITAL SANDER



PARTS LIST

NO	PARTS NO	DESCRIPTION	Q'T Y	UNIT PRICE (US\$/PC) (FOB Taiwan)
1	ST200A37AS	REGULATOR SET	1	1.6
2	OB-30	SNAP RING	1	0.3
3	ST200A33AAS	VALVE STEM SET	1	0.6
4	70009	AIR INLET	1	1.6
5	ST20010BAS	EXHAUST SLEEVE SET	1	1.1
6	ST20022B	CONE MUFFLER	1	1
7	ST200A44AS	VALVE SET	1	1.1
8	12012.1	SPRING PIN	1	0.3
9	ST200A13	LEVER	1	2.9
10	ST-200A14BG	PROTECTING RUBBER	1	4.1
11	ST200A15	HOUSING	1	7.4
12	20312	BEARING (696ZZ)	1	2.7
13	ST70017	REAR PLATE	1	2.4
14	20019	ROTOR BLADE	4	0.5
15	ST288321	ROTOR	1	6.6
16	ST70021AS	CYLINDER SET	1	3.8
17	20022	BEARING SPACER	1	0.8
18	ST21023	FRONT PLATE	1	3.5

HAS-D50232

DEC. 2023

NO	PARTS NO	DESCRIPTION	Q'T Y	UNIT PRICE (US\$/PC) (FOB Taiwan)
19	21024	BEARING (608ZZ)	3	2.4
20	ST23025.1	BEVEL GEAR (12T)	1	9.1
21	21026	NUT	1	1.6
22	ST21027	CLAMP NUT	1	2.7
23	ST23229AS	ANGLE HOUSING SET	1	8.2
24	ST288336A	SNAP RING	1	0.4
25	ST23030.1	BEVEL GEAR	1	6.8
26	70048A	BEARING (6000ZZ)	1	3.2
27	ST23233	WASHER	1	0.9
28	ST23234	CLAMP NUT	1	5.4
29	ST23235	MOTOR SHAFT BALANCER	1	19.9
30	ST21033	KEY	1	0.7
31	ST23243AS	SHAFT SET	1	18.7
32	SX-35	SNAP RING	1	0.4
33	ST23244	SHROUD	1	5.4
34	BTOB-38-3VOY	3" PAD	1	7.1
35	SX-48	STOP SPANNER (17MM)	1	1.6

Consumable parts No. 12, 14, 19, 20, 24, 25, 26, 31, 34