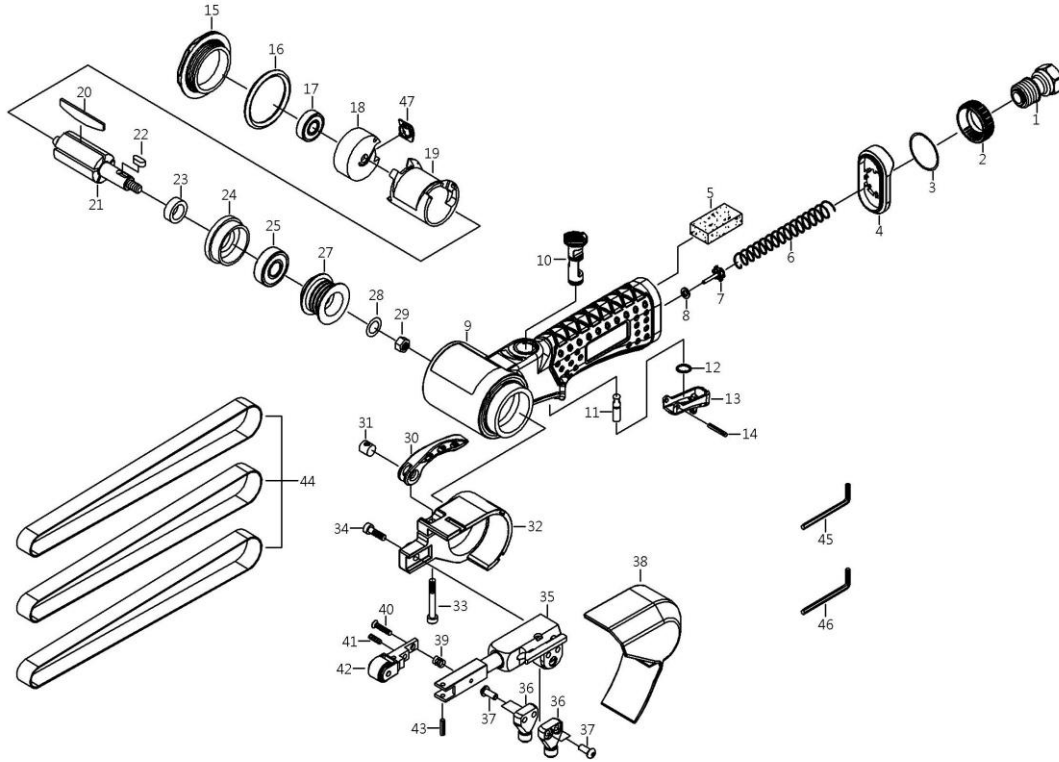


# AIR BELT SANDER ( 3/8"X13")



### PARTS LIST

NO	PART NO	DESCRIPTION	Q'T Y	UNIT PRICE (US\$/PC) (FOB Taiwan)
1	ST706A01	AIR INLET	1	1.7
2	ST706A02	EXHAUST SLEEVE	1	0.6
3	ST706A03	O-RING (24*1)	1	0.2
4	ST706A04AS	EXHAUST COVER SET	1	1.1
5	ST70603.1	SILENCER	1	0.3
6	ST70604	SPRING	1	0.5
7	ST288315	VALVE	1	0.4
8	ST288316	WASHER	1	0.3
9	ST70607A	HOUSING	1	12.1
10	ST70608AS	REGULATOR SET	1	0.9
11	ST70612AS	VALVE STEM SET	1	0.4
12	2HG-16A	SNAP RING (STW-9)	1	0.3
13	ST-70614	SAFTY THROTTLE LEVER	1	1.3
14	12012.1	SPRING PIN (3x24L)	1	0.2
15	ST70616	CAP	1	1.9
16	90443	O-RING (AS029)	1	0.2
17	22536A	BEARING (626ZZ)	1	1.7
18	ST70819	REAR PLATE	1	4.1
19	ST70620AS	CYLINDER SET	1	7.2
20	ST70622	ROTOR BLADE	6	0.4
21	ST70623	ROTOR	1	6
22	ST70624	KEY	1	0.5
23	ST25125	BEARING SPACER	1	0.6
24	ST70625	FRONT PLATE	1	3.7

Consumable parts No. 6, 7, 8, 17, 20, 25, 35, 42

NO	PART NO	DESCRIPTION	Q'T Y	UNIT PRICE (US\$/PC) (FOB)
25	70048A	BEARING (6000ZZ)	1	2.3
27	ST70627-1	DRIVE PULLEY	1	3.1
28	ST70628	WASHER (6.4x11.5x1.6t)	1	0.2
29	ST70629	NUT (M6)	1	0.2
30	ST187550	TRIGGER	1	1.5
31	ST187551	BUSHING	1	0.9
32	ST70632A	GUARD HUB	1	3.1
33	BT246652-4A	SCREW	1	0.4
34	2HG4-32	SCREW (M5x0.8Px12L)	1	0.2
35	ST7076E48AS	TENSION BAR SET	1	30.6
36	ST707E41AS	BRACKET SET	2	4.6
37	81447	SCREW	4	0.3
38	ST70634	GUARD COVER	1	1.1
39	ST70649	SPRING	1	0.2
40	ST70651	SCREW (M3x12L)	1	0.2
41	ST70652B	SCREW (M4x8L)	1	0.2
42	ST70650B-1AS	IDLE PULLEY SET	1	14.8
43	ST70639	SPRING PIN (2.5x12L)	1	0.2
44	ST70657-40#	SANDING BELT (40#)	1	1.8
44	ST70657-60#	SANDING BELT (60#)	1	
44	ST70657-80#	SANDING BELT (80#)	1	
45	ST70659	HEX (2mm)	1	0.2
46	23039	HEX (3mm)	1	0.3
47	ST70868	PACKING	1	0.5

HAS-BS706EA

DEC. 2023