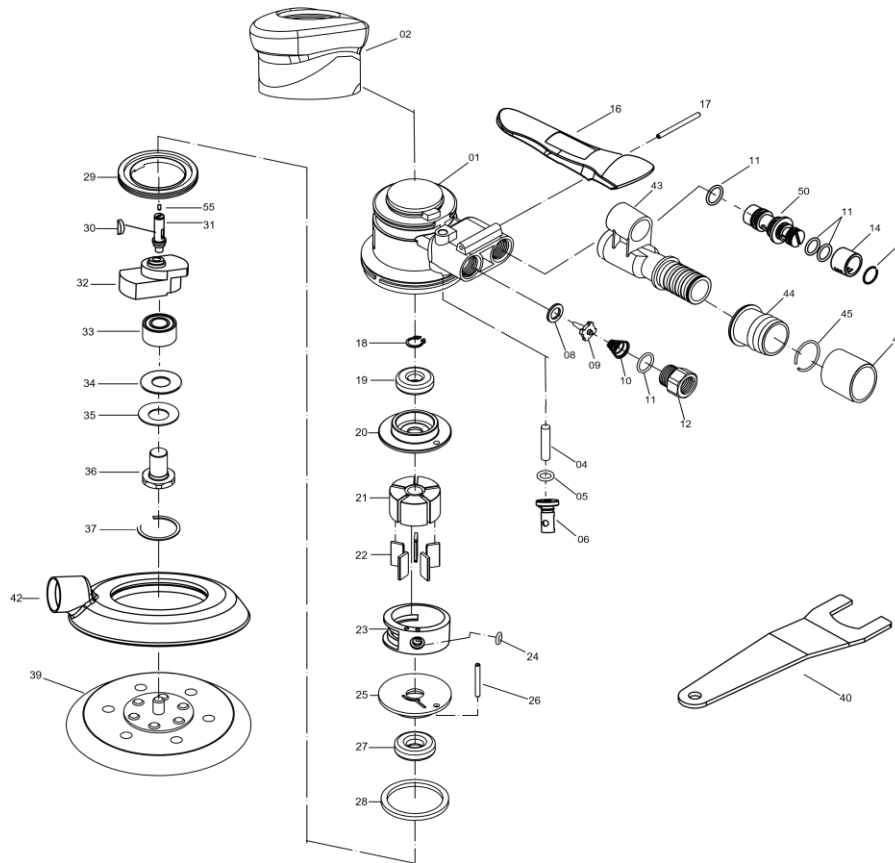


Random Orbital Sander (Central -Vacuum)



NO.	DESCRIPTION	QTY	UNIT PRICE (US\$/PC) (FOB Taiwan)
1	Housing	1	7.2
2	Grip	1	3.4
4	Stem	1	0.7
5	O-Ring	1	0.2
6	Control	1	2.3
8	Retainer	1	1
9	Valve	1	0.5
10	Spring	1	0.4
11	O-Ring	4	0.2
12	Air inlet	1	1.5
14	Exhaust Cover	1	1.2
15	C-Ring	1	0.2
16	Lever	1	1.8
17	Pin	1	0.2
18	C-Ring	1	0.2

NO.	DESCRIPTION	QTY	UNIT PRICE (US\$/PC) (FOB Taiwan)
19	Bearing	1	2.3
20	End Plate	1	5.3
21	Rotor	1	5.8
22	Rotor Blade	5	2.3
23	Cylinder	1	8.5
24	O-Ring	1	0.2
25	Front Plate	1	5.3
26	Pin	1	0.2
27	Bearing	1	2.3
28	O-Ring	1	0.2
29	Lock-Ring	1	2.3
30	Key	1	0.7
31	Spindle	1	20.6
32	Balance	1	0.2
33	Bearing	2	2.3

NO.	DESCRIPTION	QTY	UNIT PRICE (US\$/PC) (FOB Taiwan)
34	Washer	1	0.4
35	Washer	1	0.4
36	Pad Retainer	1	4.7
37	C-Ring	1	0.2
39	PAD (150mm)(6H)	1	8.8
40	Spanner	1	1
42	Housing Cover	1	2
43	Vacuum Adapter	1	1.2
44	Hose Adapter	1	0.7
45	C-Ring	1	0.2
46	Dust Tubt Adapter	1	1.2
50	Exhaust Adapter	1	2.3
55	Screw	1	0.2

Consumable parts No. 27, 33

HAS-505-CV6
HAS-525-CV6

DEC. 2023