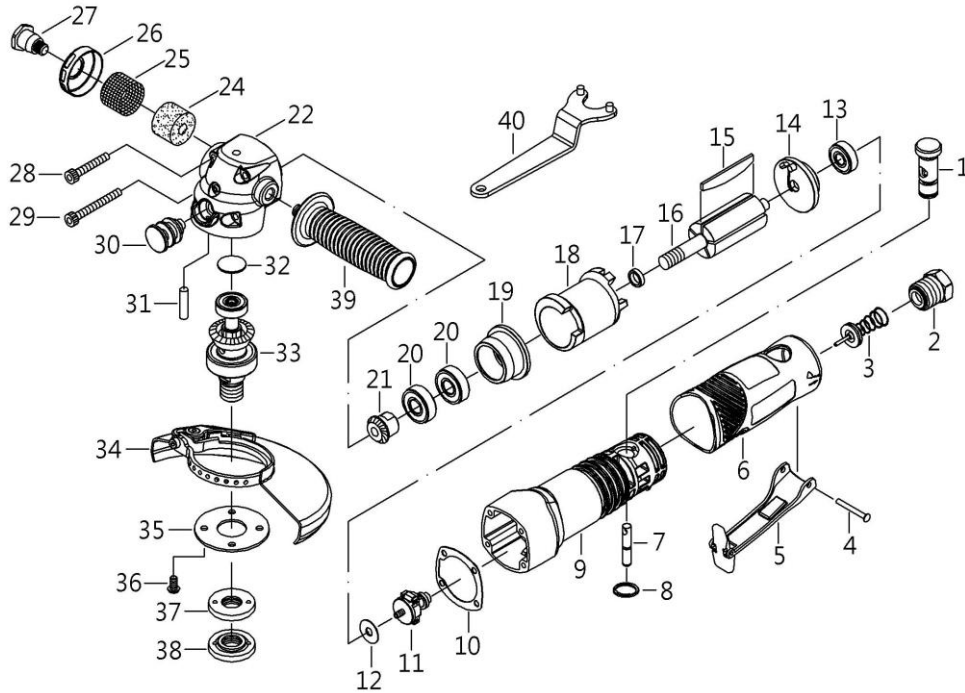


4-1/2" 100° HEAVY DUTY ANGLE GRINDER / CUTTER



PARTS LIST

NO	PART NO	DESCRIPTION	QTY	UNIT PRICE (US\$/PC) (FOB Taiwan)
1	ST87001AS	REGULATOR SET	1	1.2
2	70426	AIR INLET	1	1.4
3	OBS08AS	VALVE SET	1	1.2
4	12012.1	SPRING PIN	1	0.3
5	ST200A13	SAFETY THROTTLE	1	2.9
6	ST85508A	PROTECTING RUBBER	1	2.9
7	ST288306AS	VALVE STEM SET	1	0.7
8	OB-30	SNAP RING	1	0.3
9	ST85504-2	HOUSING	1	13.8
10	ST85559	PACKING	1	0.4
11	ST87027AS	GOVERNOR CAGE SET	1	18.5
12	ST88051-1	WASHER	1	0.7
13	21024	BEARING (608ZZ)	1	2.4
14	ST85030AS	REAR PLATE SET	1	6.3
15	ST85031	ROTOR BLADE	5	0.7
16	ST85032	ROTOR	1	19.6
17	ST85046	BEARING SPACER	1	0.9
18	ST85534	CYLINDER	1	16.8
19	ST85035	FRONT PLATE	1	7.4
20	70048A	BEARING (6000ZZ)	2	3.2

HAG-8545R

DEC. 2023

NO	PART NO	DESCRIPTION	QTY	UNIT PRICE (US\$/PC) (FOB Taiwan)
21	ST85531B	BEVEL GEAR (13T)	1	11.8
22	ST855A38-4AS	ANGLE HOUSING SET	1	15.8
24	ST87041	SILENCER	1	0.6
25	ST85535	STAINLESS MESH	1	0.8
26	ST85536	EXHAUST SLEEVE	1	1.3
27	ST85537	ADAPTER	1	3.5
28	70415-2	SCREW (M5*45L)	2	0.4
29	AGD100-26	SCREW (M5*55L)	2	0.4
30	ST85540AS	SPINDLE LOCK SET	1	3.3
31	ST85546	PIN (3*12L)	1	0.3
32	70412-1	SPACER	1	0.4
33	ST85551.1BAS	SHAFT SET (M14*2P)	1	27.4
34	ST855A37A-2AS	DISC COVER SET (4-1/2")	1	0.2
35	ST80537-3	FACE PLATE	1	0.8
36	ST70403A	SCREW	4	0.4
37	ST85562.1A	DISC NUT (M14*2P)	1	2.7
38	ST85563.1A	DISC NUT (M14*2P)	1	2.9
39	BT85557	HANDLE	1	6.3
40	BT87057.1	DISC SPANNER (180mm)	1	3.5

Consumable parts No. 13, 15, 20, 21, 33