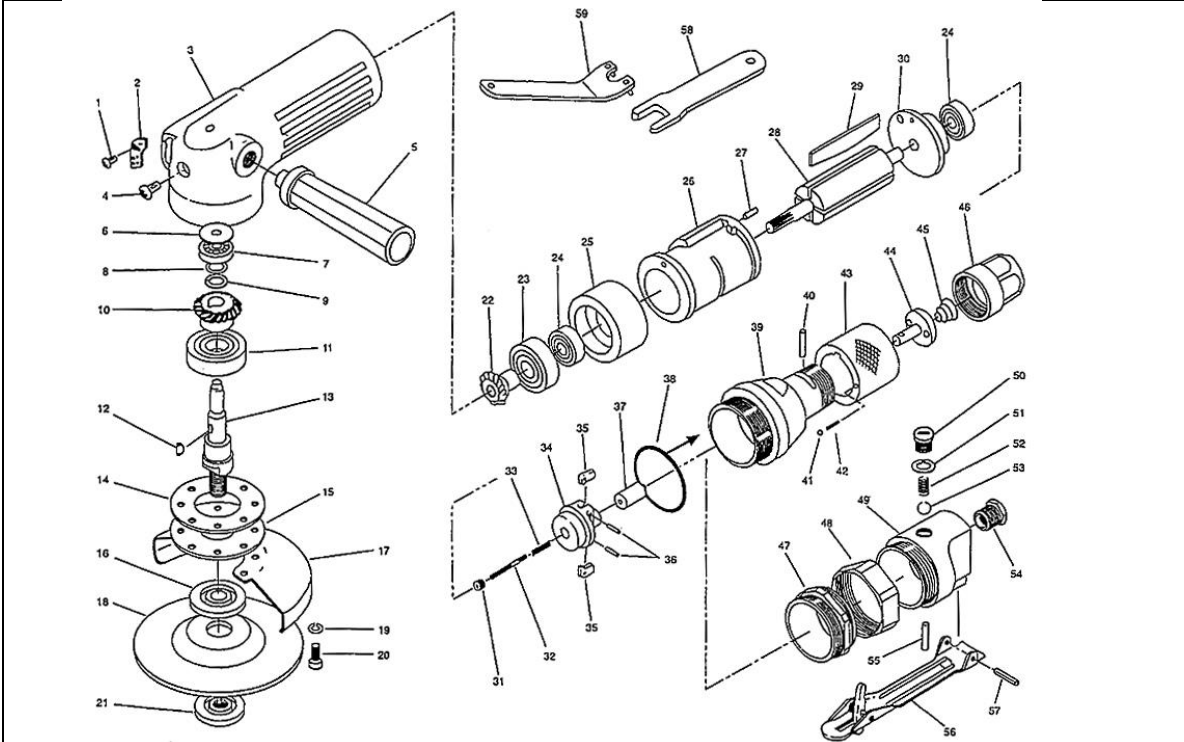


## HAG-4415 4" Air Angle Grinder



### PART LIST

NO.	PARTS NAME (ENG)	Q'T Y	UNIT PRICE (US\$/PC) (FOB Taiwan)
1	Screw (3*6)	2	0.3
2	Deflector	1	0.6
3	Motor Housing	1	12
4	Screw (M6*8)	1	0.3
5	Dead Handle	1	2
6	Spacer	1	0.4
7	Ball Bearing (626)	1	0.6
8	Retaining Ring (C-10)	1	0.3
9	Wave Washer (W-10)	1	0.3
10	Bevel Gear	1	6.6
11	Ball Bearing (6202ZZ)	1	1.1
12	Key (3*13)	1	0.7
13	Spindle	1	6.6
14	Gasket	1	0.7
15	Retainer	1	1
16	Disc Receiver For 16mm Hole	1	2.8
17	Disc Cover	1	3.4
18	4" Disc 16mm Hole	1	N/A
19	Washer (M5)	4	0.4
20	Cap Screw (M5*15)	4	0.2
21	Disc Nut	1	2.8
22	Pinion Gear	1	5.5
23	Ball Bearing (6201ZZ)	1	1
24	Ball Bearing (608)	2	0.6
25	Front Plate	1	3.4
26	Cylinder	1	8.8
27	Roll Pin (3-6 mm)	1	0.2
28	Rotor	1	6.6
29	Rotor Blade	4	0.6
30	Rear Plate	1	3.9

NO.	PARTS NAME (ENG)	Q'T Y	UNIT PRICE (US\$/PC) (FOB Taiwan)
31	Adjust Nut (M2)	1	
32	Adjust Screw	1	
33	Governor Spring	1	
34	Governor	1	6.6
35	Pendulum	6	
36	Roll Pin (3-12mm)	2	
37	Plunger	1	
38	O-Ring	1	0.5
39	Governor Case	1	16.3
40	Valve Pin	1	0.5
41	Steel Ball	1	0.2
42	Valve Spring	1	0.4
43	Valve Ring	1	4.5
44	Valve	1	2.8
45	Conical Spring	1	0.7
46	Inlet Bushing	1	3.4
47	Lock nut	1	4.5
48	Coupling Nut	1	4.5
49	Valve Housing Incl. Valve Bush	1	6.6
50	Valve Screw	1	1.2
51	O-Ring	1	0.2
52	Valve Spring	1	0.4
53	Valve	1	1.2
54	Inlet Bushing	1	1.2
55	Valve Pin	1	0.7
56	Throttle Lever	1	2.8
57	Roll Pin	1	0.4
58	Spanner	1	1
59	Pin Wrench	1	1.8

Consumable parts No. 7, 10, 22, 23, 24, 26, 29