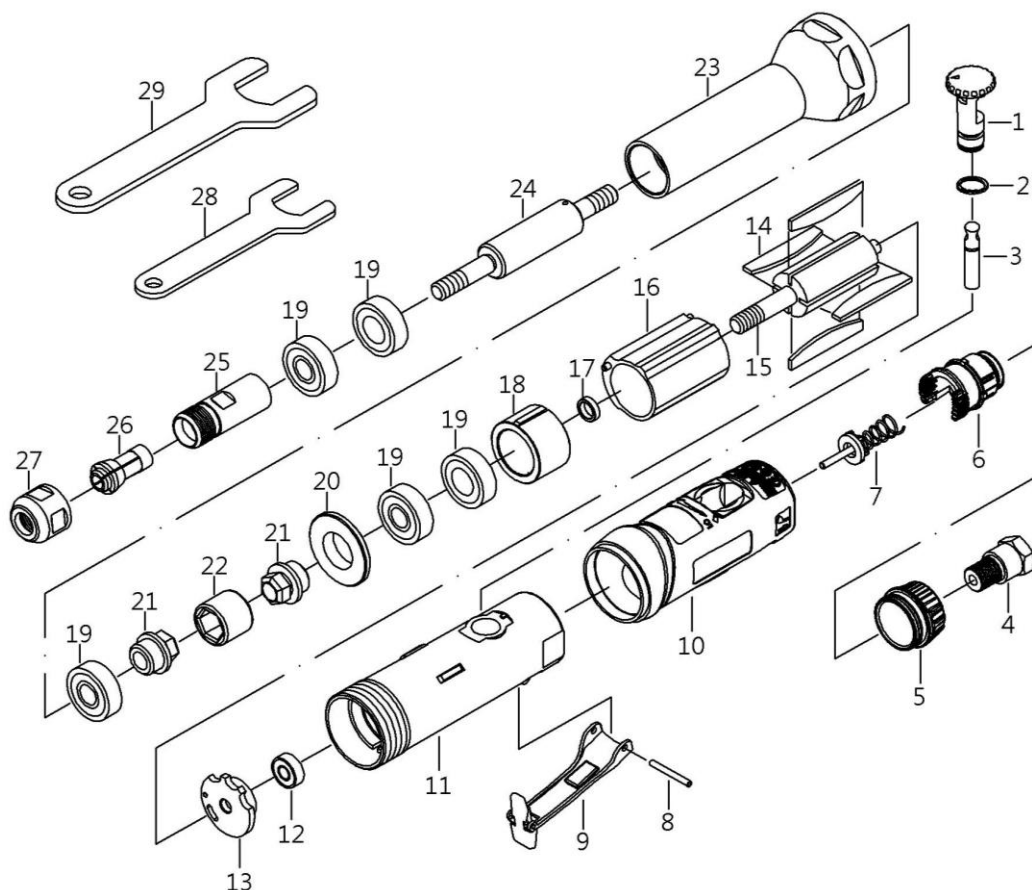


5" AIR EXTENSION DIE GRINDER



PARTS LIST

NO	PARTS NO	DESCRIPTION	Q'T Y	UNIT PRICE (US\$/PC) (FOB Taiwan)
1	ST200A37AS	REGULATOR SET	1	1.1
2	OB-30	SNAP RING	1	0.2
3	ST200A33AAS	VALVE STEM SET	1	0.4
4	70009	AIR INLET	1	1.1
5	ST20010BAS	EXHAUST SLEEVE SET	1	0.8
6	ST20022B	CONE MUFFLER	1	0.7
7	ST200A44AS	VALVE SET	1	0.8
8	12012.1	SPRING PIN	1	0.2
9	ST200A13	LEVER	1	2.1
10	ST-200A14BG	PROTECTING RUBBER	1	2.9
11	ST200A15	HOUSING	1	5.2
12	20312	BEARING (696ZZ)	1	1.9
13	ST70017	REAR PLATE	1	1.7
14	20019	ROTOR BLADE	4	0.4
15	ST288321	ROTOR	1	4.6

Consumable parts No. 7, 12, 14, 19, 22

NO	PARTS NO	DESCRIPTION	Q'T Y	UNIT PRICE (US\$/PC) (FOB)
16	ST70021AS	CYLINDER SET	1	2.7
17	20022	BEARING SPACER	1	0.6
18	ST21023	FRONT PLATE	1	2.5
19	21024	BEARING (608ZZ)	5	1.7
20	20025	WASHER	1	0.6
21	200L26	COUPLING NUT	2	1.1
22	ST200L27	COUPLING	1	1.1
23	ST200L28	SPINDLE HOUSING	1	5.8
24	ST2880L31	SPINDLE (SHAFT)	1	4.6
25	20027	SPINDLE	1	1.9
26	21036	COLLET	1	1.9
27	21037	COLLET NUT	1	1.1
28	BT21038-14	STOP SPANNER (14MM)	1	0.6
29	BT21039-19	STOP SPANNER (19MM)	1	0.7

HAD-50200L

DEC. 2023