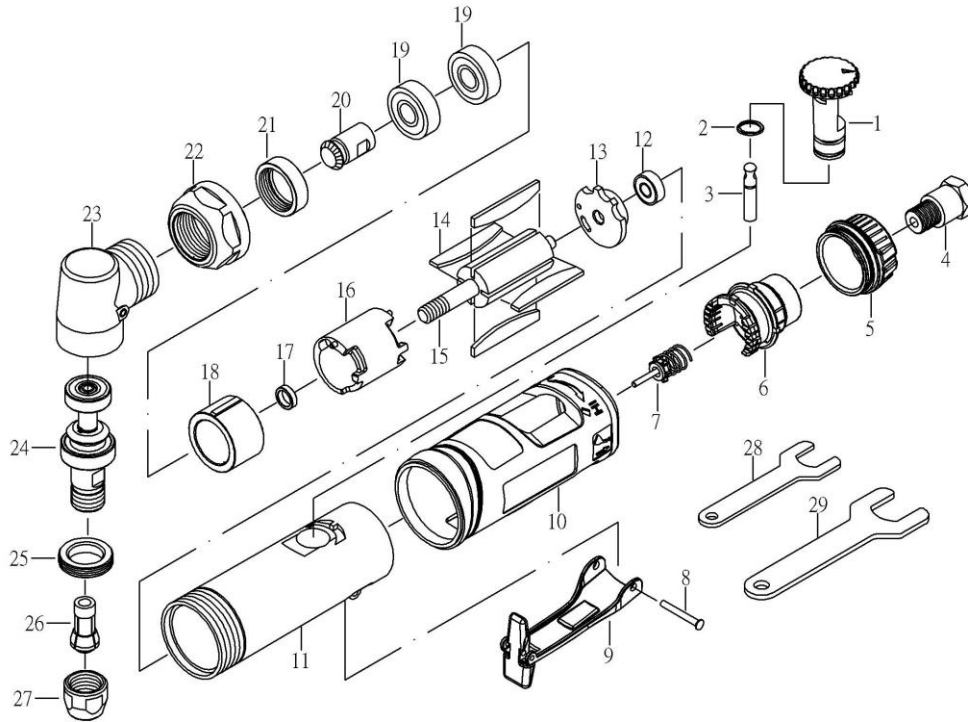


# MINI AIR ANGLE DIE GRINDER



## PARTS LIST

NO	PARTS NO	DESCRIPTION	Q'TY	UNIT PRICE (US\$/PC) (FOB Taiwan)
1	ST120A01AS	REGULATOR SET	1	0.9
2	OB-30	SNAP RING	1	0.2
3	ST316003AS	VALVE STEM SET	1	0.4
4	70009	AIR INLET	1	1.1
5	ST12010BAS	EXHAUST SLEEVE SET	1	0.9
6	ST12030B	MUFFLER	1	0.8
7	ST200A44-1AS	VALVE SET	1	0.8
8	12012.1	PIN	1	0.2
9	ST120A13	LEVER	1	2.1
10	ST120A16-2	PROTECTING RUBBER	1	1.9
11	ST120A17	HOUSING	1	4.4
12	20312	BEARING (696ZZ)	1	1.9
13	ST12017B	REAR PLATE	1	1.3
14	12019	ROTOR BLADE	4	0.3
15	ST120K20	ROTOR	1	3.7

Consumable parts No. 7, 12, 19

NO	PARTS NO	DESCRIPTION	Q'TY	UNIT PRICE (US\$/PC) (FOB Taiwan)
16	ST12021BAS	CYLINDER SET	1	5
17	20022	BEARING SPACER	1	0.6
18	ST12023A	FRONT PLATE	1	2.1
19	21024	BEARING (608ZZ)	2	1.7
20	12525-1	BEVEL GEAR (11T)	1	5.2
21	21026	NUT	1	1.1
22	ST12527	CLAMP NUT	1	1.7
23	ST12528AAS	ANGLE HOUSING SET	1	5.2
24	ST12532AS	SHAFT SET	1	11.7
25	12534	CLAMP NUT	1	0.9
26	21036	COLLET	1	1.9
27	21037	COLLET NUT	1	1.1
28	BT21038-14	STOP SPANNER 14M/M	1	0.6
29	BT21039-19	STOP SPANNER 19M/M	1	0.7

HAD-35125

DEC. 2023