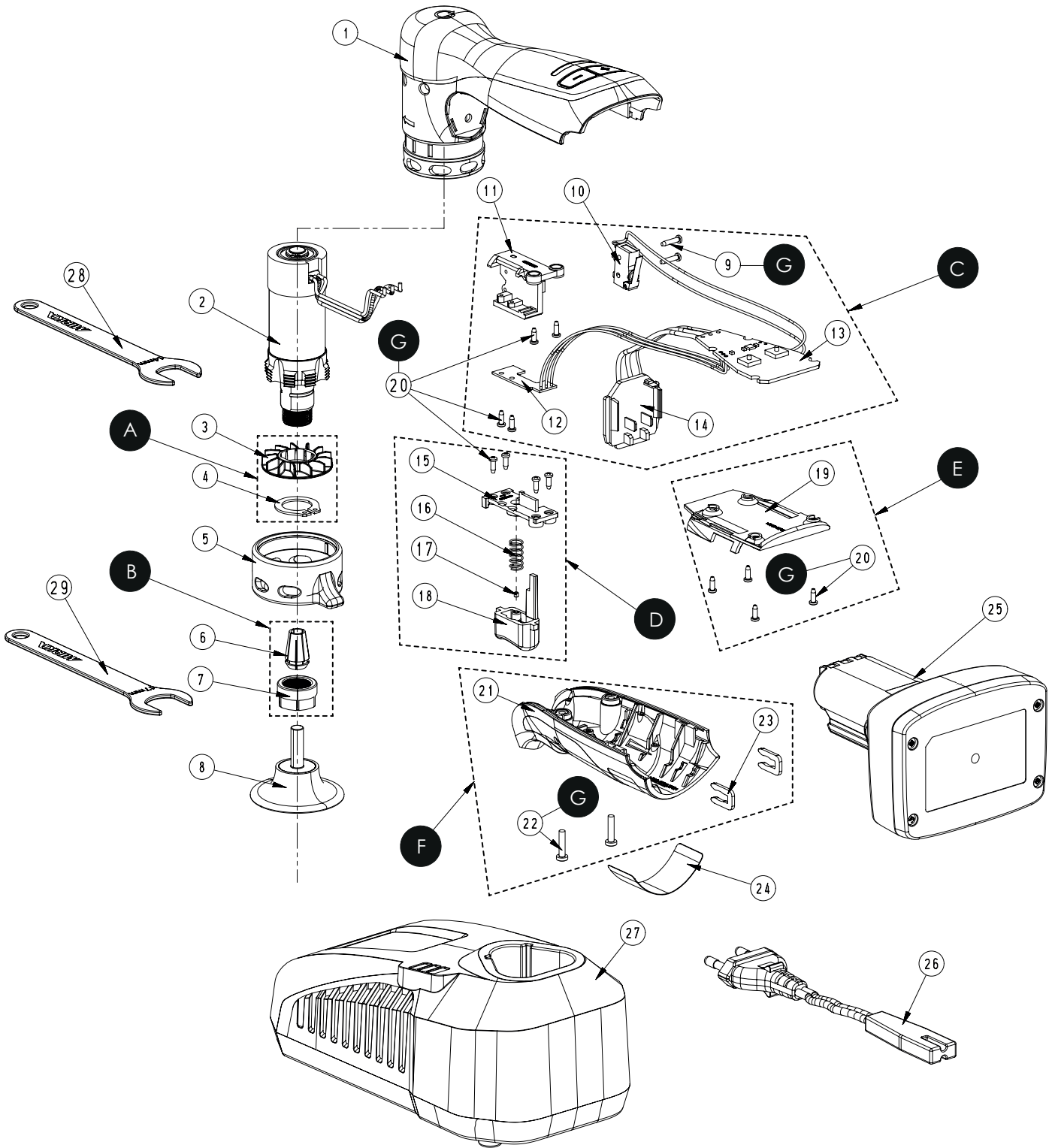


# Exploded view of ANGOS ARG-B 200

Updated 24.11.2021



## ANGOS ARG-B 200 Spare Part kits

Electrical tool must be serviced by a qualified repair person and in accordance with national requirements.

**Note!** Repairs done by non-authorized repairer will breach the Mirka warranty.

Mirka Code	Item	Description	Kit	QTY	Tightening Torque
<b>8991220311</b>		<b>Fan kit</b>			
	3	Fan	A	1	
	4	Retaining Ring		1	
<b>8991220611</b>		<b>Collet 6 mm, 1/4 inch kit</b>			
	6	Collet 6 mm, 1/4 inch	B	1	
	7	Nut		1	
<b>8991021411</b>		<b>Speed Controller (Variable) kit</b>			
	9	Assembly Screw for Switch		2	0,4 Nm/0,3 ft-lb
	10	Switch		1	
	11	Holder	C	1	
	12	Trigger Sensor PCB		1	
	13	Speed Controller		1	
	14	Battery Terminal		1	
	20	Assembly Screw		4	0,4 Nm/0,3 ft-lb
<b>8991022511</b>		<b>Trigger Button (Variable) kit</b>			
	15	Trigger Button Cover		1	
	16	Trigger Spring	D	1	
	17	Magnet		1	
	18	Trigger Button		1	
	20	Assembly Screw		4	0,4 Nm/0,3 ft-lb
<b>8991022111</b>		<b>PCB Cover kit</b>			
	19	PCB Cover	E	1	
	20	Assembly Screw		4	0,4 Nm/0,3 ft-lb
<b>8991124011</b>		<b>Cover kit</b>			
	21	Cover	F	1	
	22	Assembly Screw for Cover		2	
	23	Assembly Clamp		2	
<b>8991020111</b>		<b>Screw kit</b>			
	9	Assembly Screw for Switch	G	2	0,3 Nm/0,2 ft-lb
	20	Assembly Screw		12	0,4 Nm/0,3 ft-lb
	22	Assembly Screw for Cover		2	0,7 Nm/0,5 ft-lb

Separate spare parts on next page.

## ANGOS ARG-B 200 Spare Parts

Mirka Code	Item	Description	Kit	QTY	Tightening Torque
8991210111	1	<b>Housing</b>		1	
8991210211	2	<b>Motor</b>		1	
	3	Fan	A	1	
	4	Retaining Ring	A	1	
8991210511	5	<b>Fan Cover</b>		1	
	6	Collet 6 mm, 1/4 inch	B	1	
	7	Nut	B	1	
8095060211	8	<b>Quick Disc Holder 50 mm, 6x20 mm shaft, 5 pcs/pack</b>		1	
	9	Assembly Screw for Switch	C,G	2	0,3 Nm/0,2 ft-lb
	10	Switch	C	1	
	11	Holder	C	1	
	12	Trigger Sensor PCB	C	1	
	13	Speed Controller	C	1	
	14	Battery Terminal	C	1	
	15	Trigger Button Cover	D	1	
	16	Trigger Spring	D	1	
	17	Magnet	D	1	
	18	Trigger Button	D	1	
	19	PCB Cover	E	1	
	20	Assembly Screw	C,D,E,G	12	0,4 Nm/0,3 ft-lb
	21	Cover	F	1	
	22	Assembly Screw for Cover	F,G	2	0,7 Nm/0,5 ft-lb
8991012711	23	<b>Assembly Clamp</b>	F	2	
8991212411	24	<b>Type Label (EU)</b>		1	
	24	Type Label (North America)		1	
8991122211	25	<b>Mirka Intelligent Battery BPA 10825 10.8V 2.5Ah</b>		1	
8991122311	25	<b>Mirka Intelligent Battery BPA 10850 10.8V 5.0Ah</b>		1	
8991112211	26	<b>Power Cord 2.0 m EU</b>		1	
8991112311	26	<b>Power Cord 2.0 m US</b>		1	
8991112411	26	<b>Power Cord 2.0 m UK</b>		1	
8991112611	26	<b>Power Cord 2.0 m CN</b>		1	
8991112711	26	<b>Power Cord 2.0 m ANZ</b>		1	
8991123011	27	<b>Battery Charger</b>		1	
8991123011US	27	<b>Battery Charger US</b>		1	
8993008014	28	<b>Pad Wrench 14mm</b>		1	
8993008013	29	<b>Pad Wrench 17mm</b>		1	