

Accessories

SATA multi clean 2[®]
SATA

Reinigen
Cleaning
Nettoyage

Trocknen
Drying
Séchage

Spritzen
Spraying
Projection

Trocknen
Drying
Séchage

SATA clean[®]
- the turbo c

SATA[®] clean RCS[™]
- compact -

Reinigen
Cleaning
Nettoyage

Trocknen
Drying
Séchage

SATA[®] clean RCS
- micro -

SATA® mini set™ 2

SATA mini set 2

Technical Data

Air inlet and outlet: 1/4" male thread
Material outlet: 1/4" male thread
Max. material pressure inside the container: 2.5 bar
Weight: 2.4 kg
Container and lid made of aluminium / suction tube made of copper



Art. No.	Available versions		
120840	SATA mini set 2 pressure pot 2 ltr. single pressure reducer		
56408	SATA Mini Set 2 with SATAjet 3000 K RP 1.1, paint pipe, material filter 60 msh, hose pair 1.5 m		
83444	SATA Mini Set 2 with SATAjet 3000 K HVLP 1.2, paint pipe, material filter 60 msh, hose pair 1.5 m		

Accessories for SATA mini set 2

5868	Shoulder strap for SATA mini set and SATA mini set 2		
19869	SATA hose pair 9 x 9 mm, 1.5 m, G 3/8" and G 1/4" (material), G 1/4" (air) (female thread) for SATA mini set 2		

SATA release agent application system

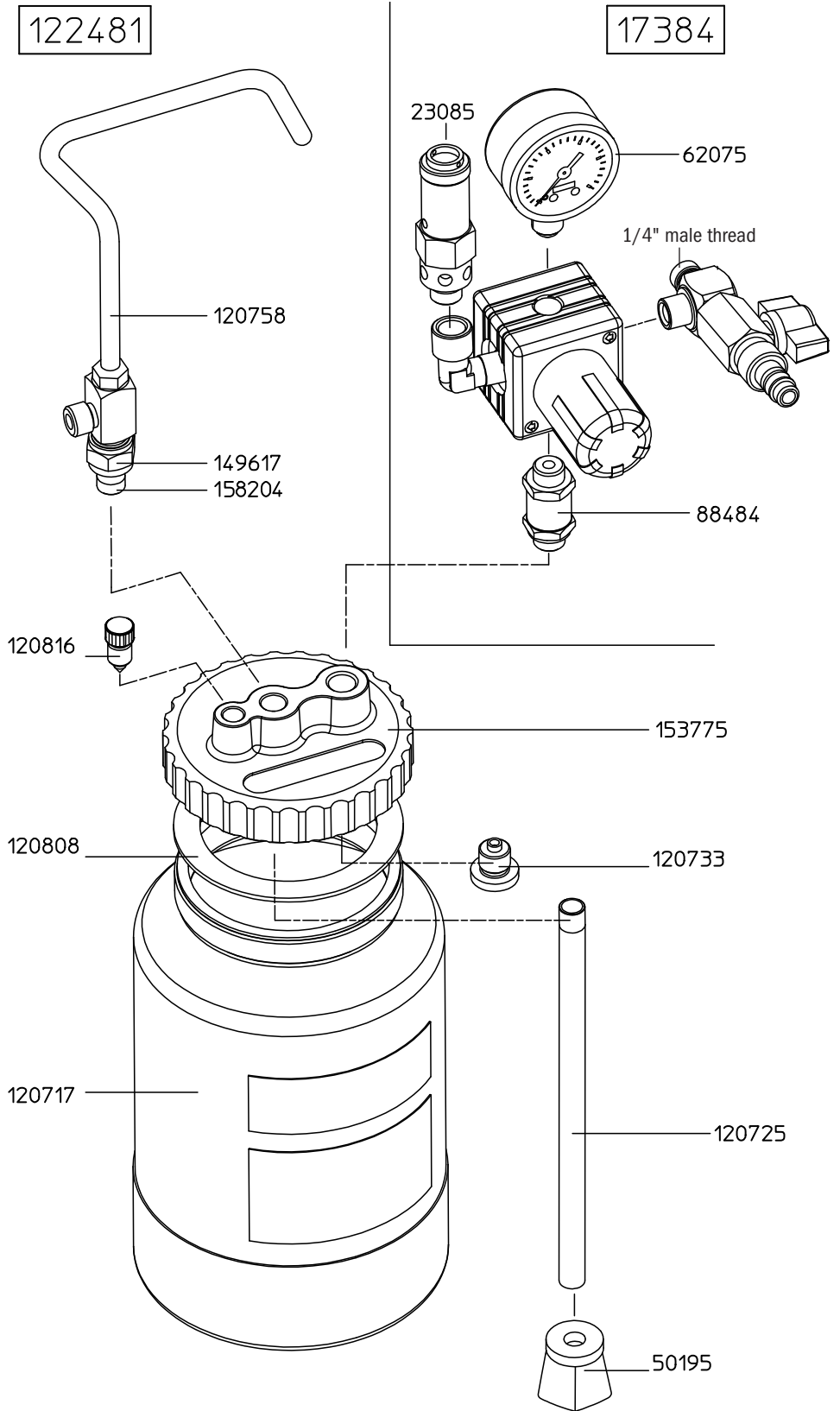
187740	Separating agent spray system, consisting of pressure tank 2 l, DPR (double pressure reducer), SATAminijet 1000 K RP 0.3, hose pair 3 m, complete		
187708	SATA hose pair 6 x 6 mm, 3 m, G 1/4" (female thread) (material and air) for SATA mini set 2		
187450	SATAminijet 1000 K RP nozzle 0.3 material connection 1/4" (male thread)		
187419	SATA paint tube G 1/4 female thread - 1/4" male thread		
187690	SATA paint strainer 60 msh, 1/4" (male thread)		
57232	2.0 l pressure pot, cpl. with handle and double pressure reducer		

Hoses and hose pairs see page 122 and 123.

All prices are recommended list prices. Errors, technical modifications and printing errors reserved.

Spare Parts SATA® mini set™ 2

Art. No./Descr.
17384 Pressure regulator with gauge 0-4 bar, safety valve 2.5 bar
20677 Set of wear-and-tear parts for pressure regulation valve
23085 Safety and drain valve 2.5 bar for MINI-SET 2 litres, G 1/4
50195 Strainer (packing unit 2 pieces)
62075 Pressure gauge 0 - 4 bar, 50 mm, red marking at 2.5 bar
88484 One-Way valve
120733 Closing screw (packing unit 2 pieces)
120717 2.0 l pressure pot, w/o lid
120725 Suction pipe
120758 Handle, cpl.
120808 Sealing ring (packing unit 4 pieces)
120816 Pressure release screw (packing unit 2 pieces)
122481 2,0 l pressure pot, cpl. with handle, w/o controls and instruments
149617 Sleeve nut for handle SATA mini set 2
153775 Screw-on lid for mini set 2
158204 Connection nipple



All prices are recommended list prices. Errors, technical modifications and printing errors reserved.






SATA® paint set™ 10




SATA paint set 10

Technical Data	Air inlet and outlet: 1/4" male thread Material outlet: 1/2" male thread
	Max. material pressure inside the container: 3 bar
	Total weight/Lid weight: 8 kg/starting from 3.9 kg
	Internal height / width: 268 mm/ø 217 mm
	Container made of stainless steel and lid coated

Art. No. Features

				
Single pressure reducer	Double pressure reducer	Pot insert	Hand agitator	Compressed air agitator with gear drive


SATA paint set 10 with ...

14662	x						
201079	x		x				
199257	x			x			
14654	x		x	x			
14647		x					
201087		x	x				
199265		x		x			
199273		x			x		
14639		x	x	x			
14373	Optional (no retrofit): 2. spray gun connection (air and material) for SATA paint set 10 - stainless steel version with Teflon ball valve						

SATAjet 3000 K RP, 1.1, material supply tube, material filter 60 msh, hose pair 9x9 mm, 6m length

16782		x				
-------	--	---	--	--	--	--

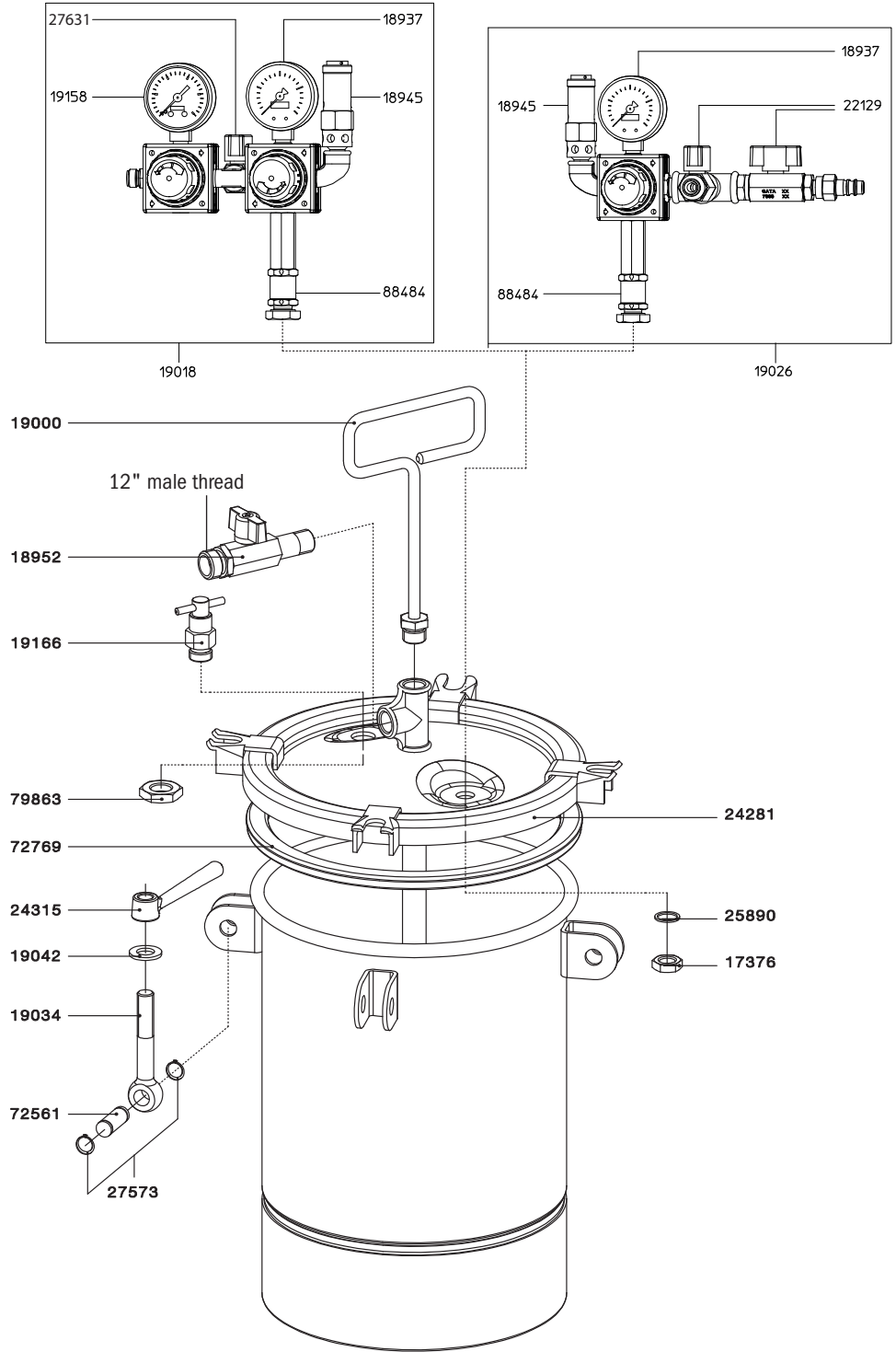
Accessories

47530	Insert pot, stainless steel for SATA pressure tank FDG 10		
138917	Surcharge for suction pipe, tap and angle made of stainless steel for SATA paint set 10		

All prices are recommended list prices. Errors, technical modifications and printing errors reserved.

Spare Parts SATA® paint set™ 10

Art. No./Descr.
17376 Brass pipe securing nut DIN 431 G 1/4 nickel-plated for ascending pipe SATA Mini-Set 2 l
18937 Pressure gauge 0 - 4 bar, 50 mm, red marking at 3 bar
18945 Safety and drain valve 3 bar, G 1/4 for SATA Paint Set 10 l
18952 Ball tap (Teflon) 3/8" (male thread) x G 1/2" (female thread) material outlet
19000 Handle, cpl.
19018 Double pressure reducer, cpl. with pressure gauge and safety valve 3.0 bar
19026 Single pressure regulator, cpl.
19034 Eye bolt
19042 Retaining washer 13 for SATA Paint Set 10 l, galvanized, 92-5817
19158 Pressure gauge 0 - 10 bar, 50 mm
19166 Air release valve, cpl. 3/8" (male thread)
22129 Ball tap (Teflon), cpl., 3/8" x 1/4" (male thread)
24281 Lid, black with RILSAN coating, with brackets and T-piece
24315 Securing handle M 12 for SATA pressure pot 10 l
25890 Sealing ring, copper 13x18x1
27573 Safety ring 12 x 1 DIN 471, galvanized
27631 Ball tap (Teflon) 1/4" (male thread) x G 1/4" (female thread)
72561 Bolt
72769 Sealing ring
79863 Hexagon nut G 3/8" (female thread), stainless steel
88484 One-Way valve
20677 Set of wear-and-tear parts for pressure regulation valve



All prices are recommended list prices. Errors, technical modifications and printing errors reserved.

SATA® Paint Pressure Tanks 24 l / 48 l



SATA FDG 24N / SATA FDG 48N

Technical Data	Air inlet and outlet: 1/4" male thread Material outlet: 1/2" male thread
Container and lid made of stainless steel	Max. material pressure inside the container: SATA FDG 24: 6 bar SATA FDG 48: 4 bar
	Total weight/lid weight: SATA FDG 24: 24 kg/starting from 6.9 kg SATA FDG 48: 31 kg/ starting from 8.6 kg
	Interior height / width: SATA FDG 24: 369mm/ø 297mm SATA FDG 48: 486mm/ø 362mm Fluid group 2*

Art. No.	Features					
	Single pressure reducer	Double pressure reducer	Pot insert	Hand agitator	Compressed air agitator with gear drive	Motor driven agitator

SATA FDG 24N with ...						
177725	x		Optional (cannot be retrofitted, please contact us before ordering)			
177733	x			x		
177758	x				x	
177766	x					x
177774		x				
177782		x		x		
177808		x			x	
177816		x				x
181990	Optional (no retrofit): 2. spray gun connection (air and material), stainless steel version for SATA FDG 24 N					

SATA FDG 24U with ...						
186189	x					
195370		x				

SATA FDG 48N with ...						
177824	x		Optional (cannot be retrofitted, please contact us before ordering)			
177832	x			x		
177857	x				x	
177865	x					x
177873		x				
177881		x		x		
177907		x			x	
177915		x				x
177923	Optional (no retrofit): 2. spray gun connection (air and material), stainless steel version for SATA FDG 48 N					

Accessories		
31302	Insert pot, stainless steel for SATA pressure tank FDG 24	
47639	Insert pot, stainless steel for SATA pressure tank FDG 48	
14332	Trolley, cpl. for SATA FDG 48	
46037	Trolley, cpl. for SATA FDG 24 and SGE	

* Processing of coating materials of fluid group 1 is not permitted.

All prices are recommended list prices. Errors, technical modifications and printing errors reserved.

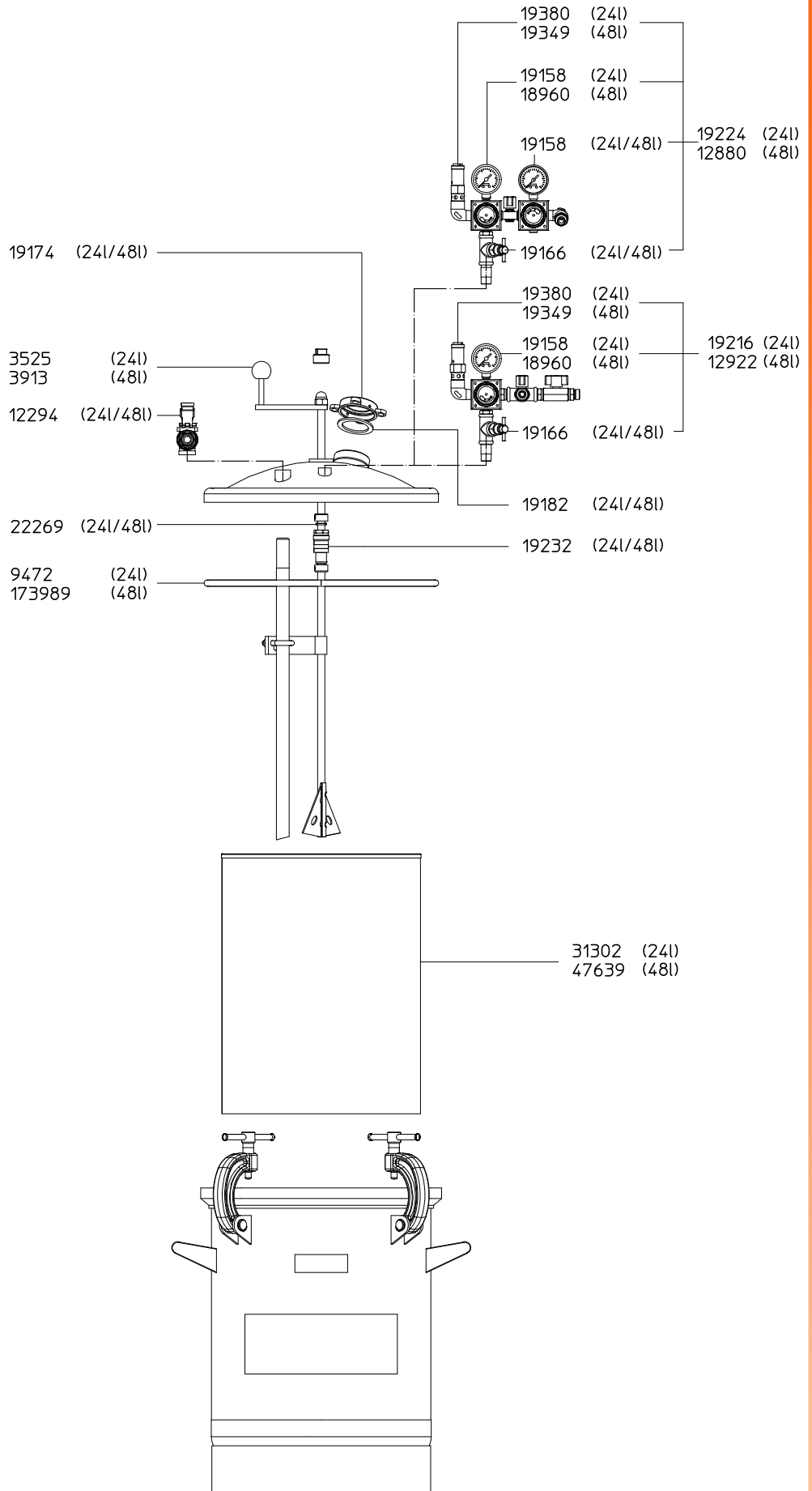
Spare Parts SATA® Paint Pressure Tanks 24 l / 48 l

SATA paint pressure tank FDG 24 N

Art. No./Descr.
3525 Hand agitator, cpl., stainless steel
9472 Sealing ring, EPDM profile string green
12294 Material outlet, stainless steel, 1/2" male thread
19158 Pressure gauge 0 - 10 bar, 50 mm
19166 Air release valve, cpl. 3/8" (male thread)
19174 Lid for filler neck
19182 Gasket for filler neck
19216 Single pressure regulator, cpl. with pressure gauge and safety valve, max. pressure 6.0 bar
19224 Double pressure reducer, cpl. with pressure gauge and safety valve 6.0 bar
19232 Stuffing box (packing unit 3 piece) for manual agitation
19380 Safety valve PNG, 3/8" male thread
22269 O-ring
31302 Insert pot, stainless steel

SATA paint pressure tank FDG 48 N

Art. No./Descr.
3913 Hand agitator, cpl., stainless steel
12294 Material outlet, stainless steel, 1/2" male thread
12880 Double pressure reducer, cpl. with pressure gauge and safety valve 4.0 bar
12922 Single pressure regulator, cpl. with pressure gauge and safety valve, max. pressure 4.0 bar
18960 Pressure gauge 0 - 6 bar, 50 mm, red marking at 4 bar
19158 Pressure gauge 0 - 10 bar, 50 mm
19166 Air release valve, cpl. 3/8" (male thread)
19174 Lid for filler neck
19182 Gasket for filler neck
19232 Stuffing box (packing unit 3 piece) for manual agitation
19349 Safety pressure relief valve G 3/8, set to 4 bar for SATA 48
Euro- pressure pot
22269 O-ring
47639 Insert pot, stainless steel
173989 Sealing ring






All prices are recommended list prices. Errors, technical modifications and printing errors reserved.

SATA® vario top spray™



SATA vario top spray

Technical Data	Pump ratio: 1:1
	Material pressure: 8.0 bar
	Material flow volume (at 220 double strokes): 32 l/min.
	Air inlet pressure min.: 1.0 bar
	Air inlet pressure max.: 8.0 bar
Version and weight without add-on components:	Aluminium: 6 kg Stainless steel: 12 kg

Aluminium versions		
81661	SATA vario top spray S, double diaphragm pump 1:1, with stand, material fine pressure regulator, suction tube and 1 spray gun connection, without spray gun and hoses	
61507	SATA vario top spray W, double diaphragm pump 1:1 wall mounted version, with material fine pressure regulator, suction tube and 1 spray gun connection, without spray gun and hoses	
61515	SATA vario top spray F, double diaphragm pump 1:1 on trolley, with material fine pressure regulator, suction tube and 1 spray gun connection, without spray gun and hoses	
63974	SATA vario top spray F, double diaphragm pump 1:1, mobile, with material fine pressure regulator, suction tube + 2. gun connection, without spray gun and hoses	
138941	SATA vario top spray FFB, double diaphragm pump 1:1, on trolley, with gravity flow container, material fine pressure regulator, without suction tube, 1 spray gun connection, without spray gun and hoses	
62745	SATA vario top spray FFB, double diaphragm pump 1:1, on trolley, with gravity flow container, material fine pressure regulator, suction tube, 1 spray gun connection, without spray gun and hoses	
Versions - pump and material passages made of stainless steel		
81406	SATA vario top spray S, double diaphragm pump 1:1, stainless steel version, stand, material fine pressure regulator, suction tube and 1 spray gun connection, without spray gun and hoses	
72678	SATA vario top spray W, double diaphragm pump 1:1, stainless steel version, for wall mounting, with material fine pressure regulator, suction tube and 1 spray gun connection, without spray gun and hoses	
72694	SATA vario top spray F double diaphragm pump 1:1, stainless steel version, on trolley, with material fine pressure regulator, suction tube and 1 spray gun connection, without spray gun and hoses	
138958	SATA vario top spray FFB, double diaphragm pump 1:1, stainless steel version, on trolley, with gravity flow container, fine material pressure regulator, without suction tube and 1 spray gun connection, without spray gun and hoses	
95109	SATA vario top spray FFB, double diaphragm pump 1:1, stainless steel version, on trolley, with gravity flow container, material fine pressure regulator, suction tube and 1 spray gun connection, without spray gun and hoses	

Hoses and hose pairs see page 122 and 123.

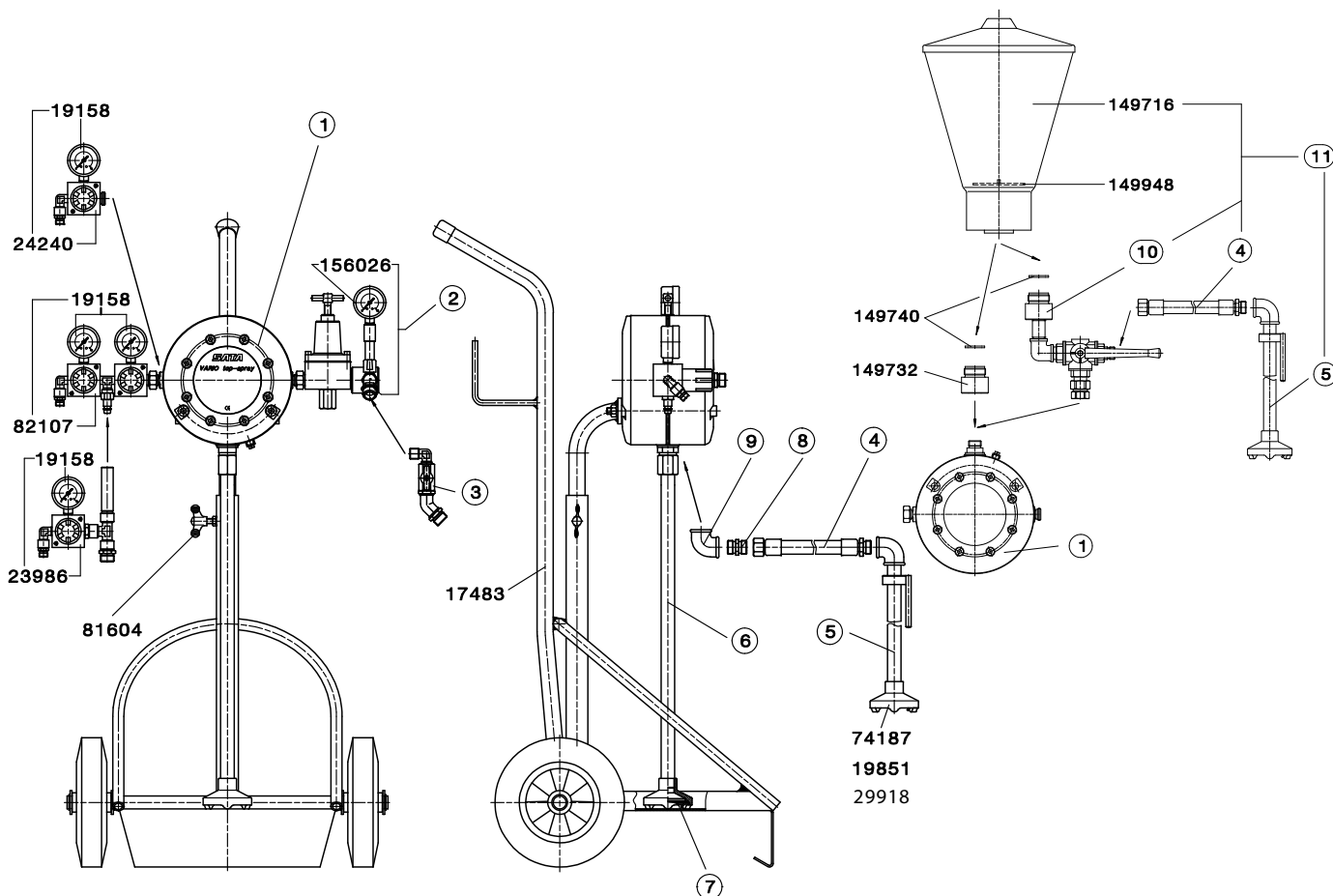
All prices are recommended list prices. Errors, technical modifications and printing errors reserved.

Spare Parts SATA® vario top spray™

Art. No./Descr.
17483 Trolley, cpl.
19158 Pressure gauge 0 - 10 bar, 50 mm
19851 Sieve hose (packing unit 10 pieces)
23986 Air connection for second spray gun, cpl.
24240 Single pressure regulator, cpl. with pressure gauge 0 - 10 bar
74187 Suction globe, cpl. version for waterborne materials
81604 Wing-shaped handle for stand, SATA pumps and dry-jet
82107 Double pressure reducer, cpl. with pressure gauge 0 - 10 bar
149716 Gravity flow cup 6 l with lid
149732 Container stud
149740 Gasket for gravity container
149948 Flat sieve 20 mesh (packing unit 2 pieces)
156026 Pressure gauge 0 - 6 bar, 50 mm, G 1/4
29918 Circlip for suction globe Spray-Mix, Vario-Top-Spray and Multi-Top

	Standard	Stainless steel version
1	61192 Double diaphragm pump 1:1, coated version, material connection M 25 x 1.5, male thread, air inlet 1/4" (male thread), grounding cable	88641 Double diaphragm pump 1:1, stainless steel, material connection M 25 x 1.5 male thread, air inlet 1/4" (male thread), without grounding cable
2	24422 Material fine pressure regulator, cpl.	25338 Material fine pressure regulator, cpl., stainless steel
3	72918 Material connection for second spray gun, cpl. for material fine pressure regulator	57570 Material connection for second spray gun, stainless steel, cpl. for material fine pressure regulator
4	62232 Suction hose, cpl.	45047 Suction hose, cpl., connections stainless steel
5	73866 Suction pipe, cpl. with suction globe and sieve insert	74203 Suction pipe, cpl. stainless steel
6	79921 Suction pipe, cpl. with suction globe and sieve insert	80879 Suction pipe, cpl. stainless steel
7	74245 Sieve unit, mesh size 1.0, f. SATA VARIO top-spray, f. water borne paints	
	74237 Sieve unit, mesh size 0.5, f. SATA VARIO top-spray, f. water borne paints	
8	41384 Threaded nipple 1/2" (male thread), galvanised	82941 Double nipple 1/2" male thread, stainless steel
9	41368 Angle G 1/2" (female thread), galvanised	56564 Angle 90°, stainless steel
10	82909 Conversion set for gravity container SATA Top-Spray	74211 Conversion kit for gravity flow container SATA VARIO top-spray, f. water borne paints
11	37986 Add-on kit gravity container PVC 6 l, cpl. with 3-way ball valve and holder	37226 Add-on kit gravity container PVC 6 l version for waterborne paint, cpl. with 3-way ball valve and holder

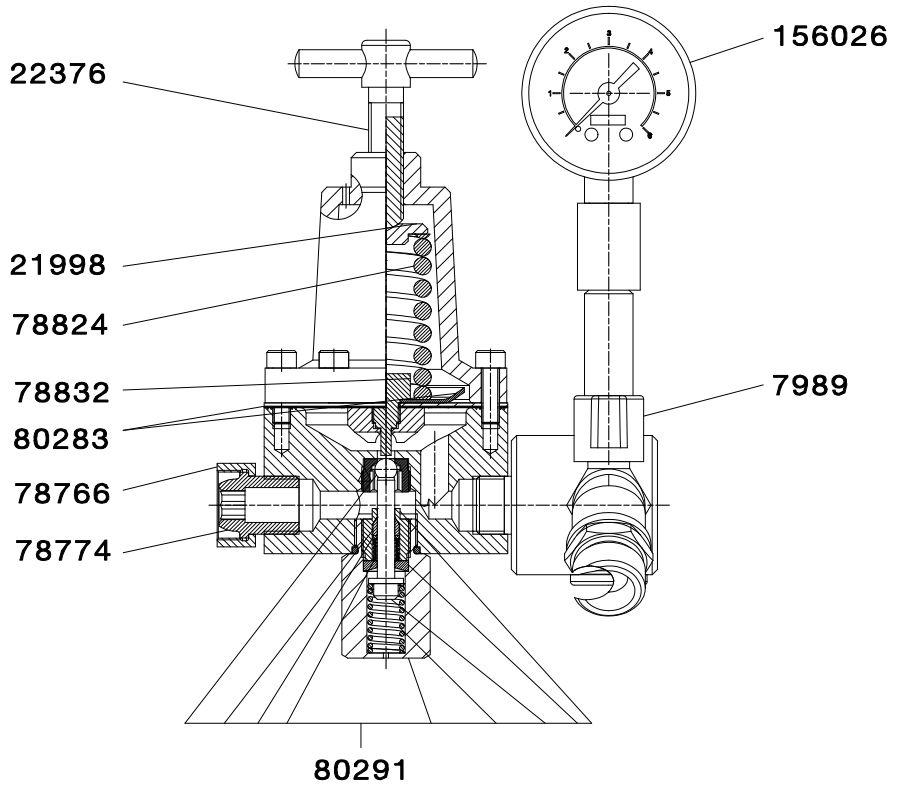
All prices are recommended list prices. Errors, technical modifications and printing errors reserved.



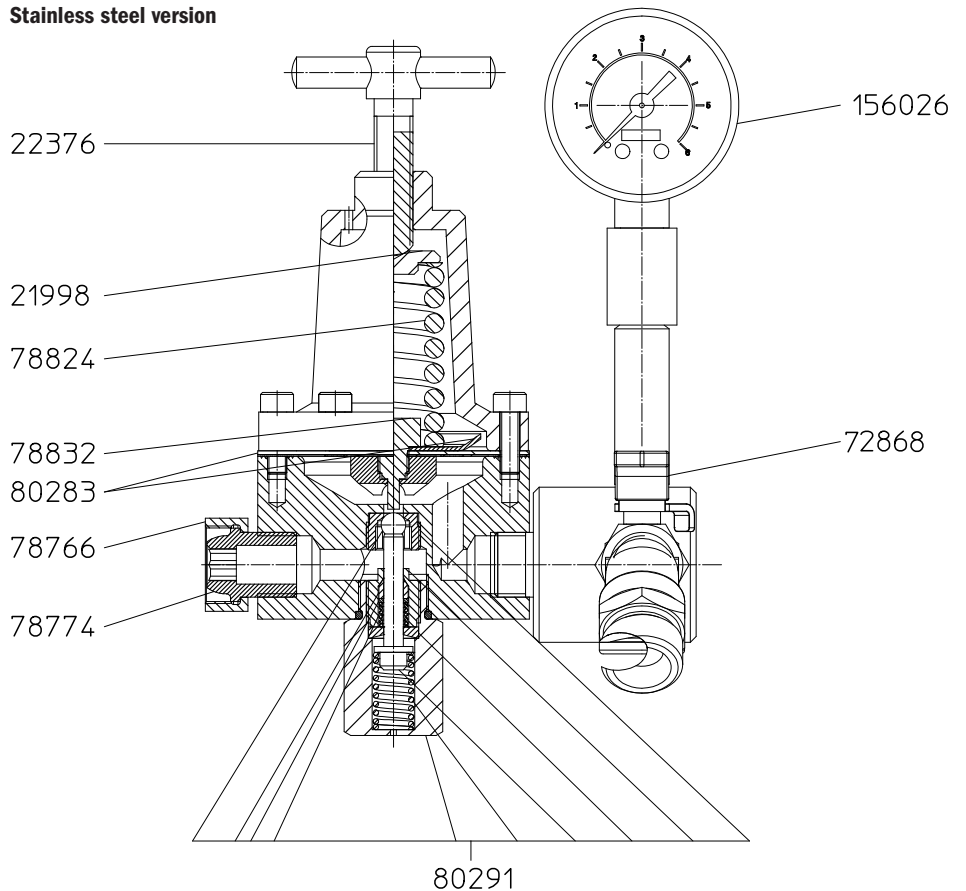
Spare Parts Material Fine Pressure Regulator

Art. No./Descr.
7989
Ball tap (Teflon) G 3/8" (female thread)
21998
Pressure plate
22376
Compression screw
78766
Sleeve nut for ball valve
78774
Insert part for material fine pressure regulator SATA vario top spray
78824
Pressure spring for material fine pressure regulator SATA vario top spray
78832
Tappet for material fine pressure reducer Vario-Top-Spray
80283
Diaphragm
80291
Plunger kit, cpl.,
156026
Pressure gauge 0 - 6 bar, 50 mm, G 1/4

Standard version






Stainless steel version



All prices are recommended list prices. Errors, technical modifications and printing errors reserved.

Grit Blasting Equipment / Blow Guns

Grit blasting equipment		
17335	SATA grit blasting gun super version spraying pipe c/w carbide insert	
39172	SATA sand blasting-set: sand blast. gun c/w carbide pipe, mask and gloves	
38166	SATA grit blasting set SGE with trolley, with grit blasting gun with carbide pipe, mask, container, w/o grit material	

Blow guns		
15156	SATA blow gun with standard nozzle (blow gun)	
26070	Standard nozzle for SATA blow gun 15156 (blow gun)	
15180	SATA blow gun with low noise metal nozzle and quick coupling nipple (blow gun)	
77586	Special low noise nozzle for SATA blow gun 15180 (blow gun)	
15214	SATA blow gun with multi nozzle and quick coupling nipple (blow gun)	
26047	Metal-multi-nozzle M 14x1 for SATA blow gun 15214 (blow gun)	
133306	SATA turbo blow with quick coupling nipple (blow gun)	

All prices are recommended list prices. Errors, technical modifications and printing errors reserved.

Spare Parts Grit Blasting Equipment

Art. No./Descr.
12831
Hexagon nut M 14 x 1.5, galvanised
17699
SATA HMO head protection hood
21154
Blast pipe w. carbide insert f. SATA grit blasting gun
21220
Hose olive with 1/4" (male thread)
21444
0.6 l plastic suction cup without lid
21451
Lid for 0.6 l PVC suction cup
27631
Ball tap (Teflon) 1/4" (male thread) x G 1/4" (female thread)
27722
SGE Air hose 9 mm ID, length 10 m
27730
SGE paint hose 6 mm ID, length 5 m with ascension pipe
27755
Ascending pipe, only for SGE set
33696
Lid, cpl.
38141
SATA SGE gun with carbide spray pipe
64394
Plastic disc (5 pieces)
64402
Glass visor screen (5 pieces)
36194
SGE container f. grit blasting material, empty

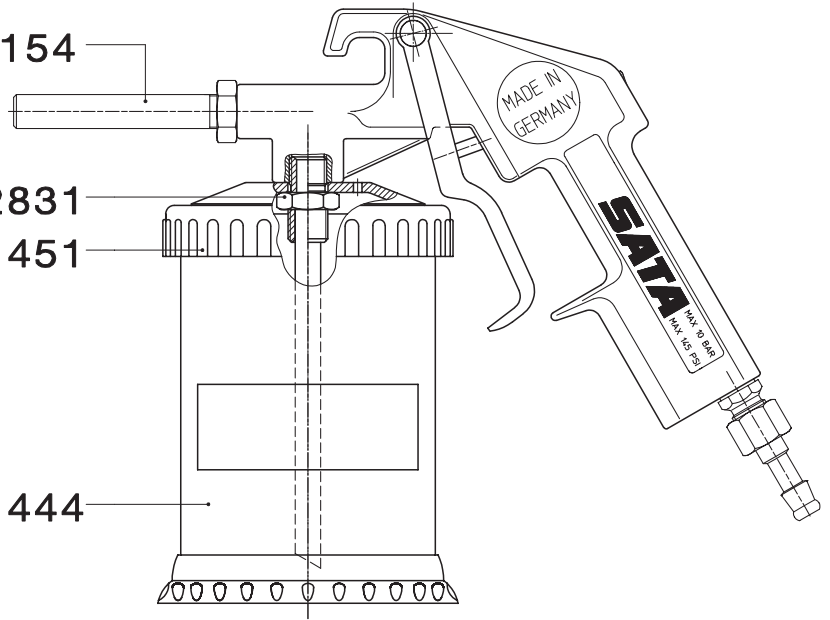
17335

21154

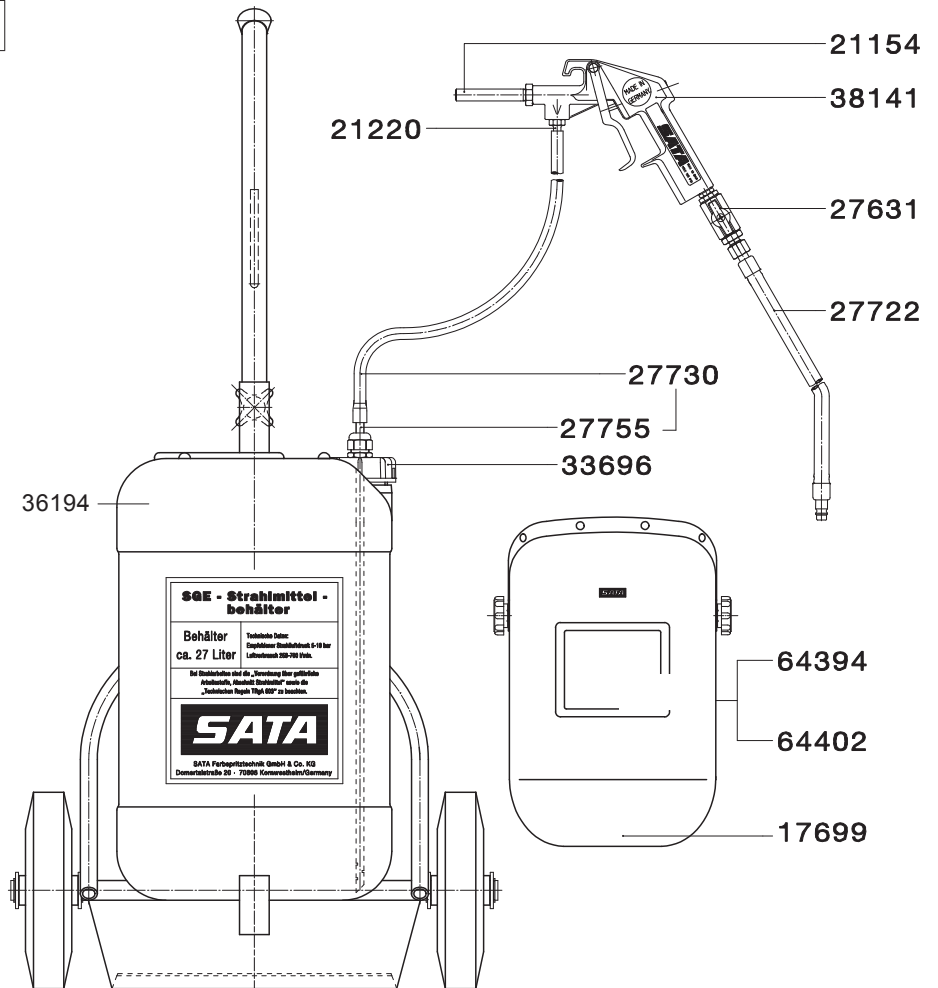
12831

21451

21444









38166



All prices are recommended list prices. Errors, technical modifications and printing errors reserved.

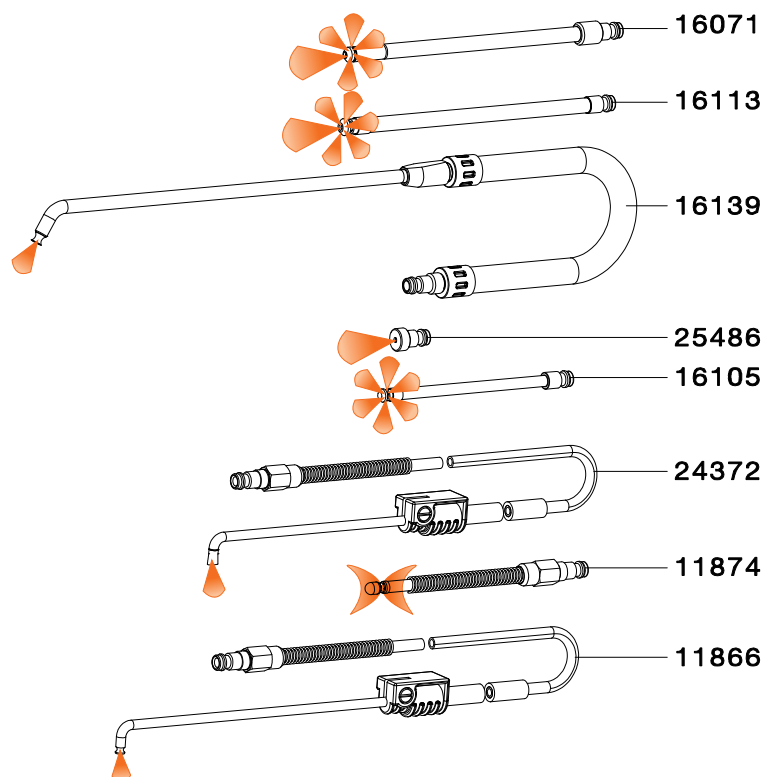
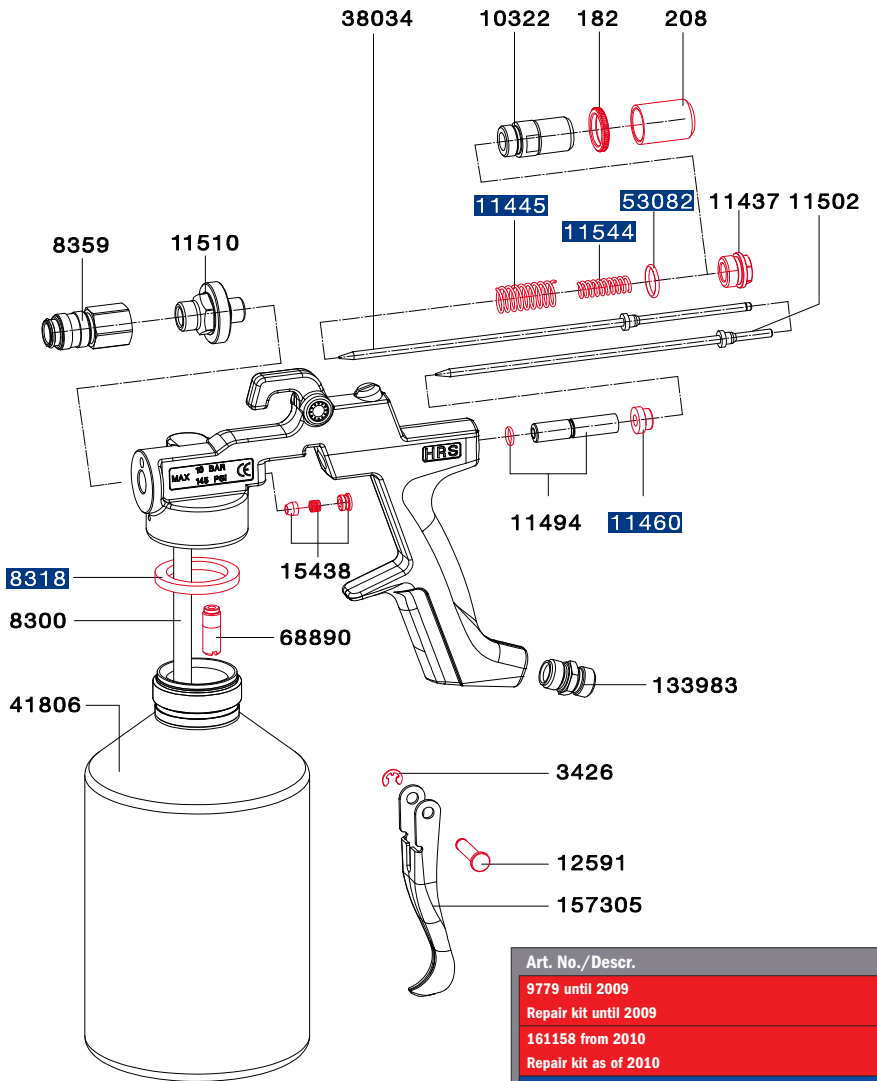
Rustproofing Equipment

Cavity Preservation		
9795	SATA HRS pressurised cup gun with 1.0 l cup (max. 10 bar), without material flow control, flexible nylon and hook wand (16113 and 16139) as well as fix door wand (16071)	
12658	SATA HRS pressurised cup gun with 1.0 l cup (max. 10 bar), material flow control, without wands	
11072	SATA HRS pressurised cup gun with 1.0 l cup (max. 10 bar), without material flow control, without wands	
77347	SATA HRS-E with 1.5 l pressurized cup (max. 10 bar), with material flow control, without wands	
172882	SATA HRS-E pressurised cup spray gun with 1.5 l cup (max. 10 bar), for cavity preservation and underbody protection from disposable containers, with material flow control, round spray nozzle 25486, hook wand 16139 and nylon wand 11874	
207290	SATA HRS E pressurised cup spray gun with 1.5 l cup (max. 10 bar) for cavity preservation and underbody protection from disposable containers, with material flow control, hook wand 16139 and nylon wand 16113 as well as round spray nozzle	
16071	Door wand, steel 1100 mm long, Ø 8 mm, with rotary nozzle 360° and spraying forward	
196832	Door wand, steel 150 mm work length, Ø 8 mm, with rotary nozzle 360° rotary fan and spraying forward, with flexible guideway hose 1000 mm	
16105	Nylon wand, flexible, 1500 mm long, Ø 6 mm, with rotary nozzle 360°	
16113	Nylon wand, flexible, 1300 mm long, Ø 8 mm, with rotary nozzle 360° rotary fan and spraying forward	
1058826	Nylon wand, flexible 3000 mm long, Ø 8 mm, with rotary nozzle 360° and spraying forward	
11866	Venturi hook wand Ø 5 mm, with flexible guide hose, Venturi spray tube for cavity and surface application	
206904	Venturi hook wand Ø 5 mm, hook nozzle cpl. in 300 mm length, with flexible guide hose, Venturi spray tube, for cavity and surface application	
11874	Nylon wand, flexible, 1500 mm long, Ø 6 mm, with rotary nozzle 360°, diagonally spraying forward and backward	
51185	Nylon wand, semi rigid 1500 mm long, Ø 6 mm, with rotary spray nozzle 360° and spraying diagonal forward and backward	
16139	Venturi hook wand, Ø 7 mm, with flexible guiding hose, Venturi spray tube for cavity and surface application	
24372	Hook wand Ø 5mm, with flexible guide hose, hook flat nozzle, for cavity and surface application	
25486	Round spray nozzle for HRS, conn. I	
198762	Round spray nozzle for surface application with flexible guide hose for underbody protection	
8359	Free passage type quick coupling for HKD1, LM/KK, HRS, connection I	
16048	SATA quick coupling nipple 1/4" (male thread) for wands	
Barrel pump unit for cavity preservation		
14555	SATA HKU 60 l barrel pump unit cpl., consisting of piston pump 1:3, with hose pair 10 m, SATAjet 1000 KK spray gun, nylon, door and hook wand	
34389	SATA HKU 200 l barrel pump unit, cpl., consisting of piston pump 1:3 with hose pair 10 m, SATAjet 1000 KK spray gun, nylon, door and hook wand	
Technical data, accessories and spare parts upon request.		
153700	SATAjet 1000 KK RP nozzle 1.5 with paint tube, 1/4" (male thread) with coupling (Art.-No. 8359)	
Underbody protection		
12740	SATA UBE gun type I, for underbody coating with one-way cans	
Barrel pump unit for underbody protection		
128561	SATA spray mix underbody protection system 1:22, hose pair 10 m, SATAjet 3000 K spray mix gun nozzle 3350, for 60/200 ltr. barrel	

All prices are recommended list prices. Errors, technical modifications and printing errors reserved.





Spare Parts SATA® HRS™

Art. No./Descr.
182
Counter nut
208
Material flow control nut
3426
Safety washer 4 mm DIN 6799 stainless steel for trigger
8300
Suction pipe
8318
Sealing ring
8359
Free passage type quick coupling for HKD1, LM/KK, HRS , connection I
10322
Guide sleeve complete, for HRS with material flow control
11437
Closing screw
11445
Pressure spring for air piston
11460
Air piston
11494
Cam rod HRS, complete with O-ring
11502
Paint needle 1.5
11510
Mixing cap HRS, completely machined
11544
Pressure spring for paint needle
12591
Bracket bolt
15438
Paint needle packing
38034
Paint needle, cpl., for HRS, with needle stroke and minimum passage control
41806
1.0 l aluminium pressure pot, max. pressure 10 bar/150 psi, cpl. with threaded ring
53082
O-ring
68890
Inflow valve
133983
Air connection piece 1/4" male thread
157305
Trigger



All prices are recommended list prices. Errors, technical modifications and printing errors reserved.

SATA Cleaning Systems




















	Intermediate Cleaning			Final Cleaning
Available versions				
Art. No.	145581	192518	202564	38257
Technical Data				
Dimensions (w x h x d) in mm	310 x 705 x 225	310 x 465 x 225	185 x 465 x 205	660 x 1000 x 380
Net weight	10 kg	7 kg	4 kg	30 kg
Inlet pressure	6.0 bar - 8.0 bar	4.0 bar	4.0 bar	5.0 bar - 6.0 bar
Air consumption	135 NI per cleaning incl. drying process			270 NI per cleaning process
Air connection	1/2" male or G 1/4" female thread	1/4" male thread		G 1/4" female thread
Container for cleaning agent	2x RPS cups; alternatively: retrofit kit for external pick-up and recirculation of cleaning agent from two bulk containers (Art. No. 189472)	2 containers (not included in delivery)		2 containers of each 15 litres
Required time per cleaning process	approx. 25 sec			max. 3 min
Rinsing agent volume per cleaning process	approx. 140 ml			max. 200 ml
Type of cleaning agent	Water, solvent-based or combination cleaner			Water, solvent-based or combination cleaner
External pick-up and recirculation of cleaning agent for bulk containers	○	●	●	●
Manual cleaning	●	●	●	●
Automatic cleaning with time control	–	–	–	●
Integrated drying	●	●	●	–
Blow-off device	●	●	●	●
Number of cleaning/drying chambers	2	2	1	1
Installation location	Spray booth	also in the mixing room/area outside the spray booth		Mixing room/Area in front of the spray booth
The spray gun can remain connected to the air line during the cleaning process	●	–	–	–
Connection for exhaust air	●	●	●	●

● Standard | ○ Optional | – non-existing/not required

All prices are recommended list prices. Errors, technical modifications and printing errors reserved.

SATA® clean RCS™ (compact, micro), SATA® multi clean™ 2

Accessories and spare parts SATA clean RCS

						
		SATA clean RCS	SATA clean RCS compact	SATA clean RCS micro		
Recommended connection accessories (depending on the installation method)						
10934	Ball tap (Teflon) 1/2" male thread for air inlet	x	—	—		
146514	SATA air hose, blue, 13 mm, 0.5 m, G 1/2" (female thread), one connection included	x	—	—		
13870	SATA air hose, blue, 9mm, 1.2 m with quick coupling, red and nipple	x	x	x		
53090	SATA air hose, blue, 9mm, 10 m with quick coupling, red and nipple	x	x	x		
13581	SATA quick coupling G 3/8" (female thread)	x	—	—		
13623	SATA quick coupling 1/4" (male thread)	x	—	—		
192633	Add-on kit: Suction hose for solvent vapours	x	x	x		
Other accessories/spare parts						
9886	SATA gravity gun holder for gravity cup spray guns	x	x	—		
192195	SATA universal spray gun and hose holder	x	x	—		
6981	SATA quick coupling nipple G 1/4" (female thread) (packing unit 5 pieces)	—	x	x		
53942	Nipple G 1/4 f. GS respirator, UBE + blow-off gun, size 14	x	—	—		
189472	Conversion kit external cleaning agent - suction and recirculation	x	x	x		
146985	Repair kit	x	x	x		
146993	Splash guard with fixing rivet (each 5 pieces)	x	x	x		
147082	Grounding cable, 3 m, 4 mm ²	x	x	x		
153965	Hose 8 x 1, 95 mm (packing unit 2 pieces)	x	x	x		

Accessories and spare parts SATA multi clean 2

21188	Pressure reducer with gauge 0 - 10 bar					
26815	Flexible aluminium tube, 5 m long, complete with two tube fittings, for suction unit SATA multi-clean-2					
38042	Filter mat					
40840	Cup lid cleaning unit for gun washing equipment SATA multi-clean					
48330	Blow cycle knob with valve, cpl.					
40907	Spring clasp (packing unit 3 pieces)					
49072	Cleaning agent container without lid					

All prices are recommended list prices. Errors, technical modifications and printing errors reserved.



SATA® trueSun™



SATA trueSun

Technical Data	Battery operating time: 60 – 70 min.
	Weight: approx. 470 g
	Charging time: 50 min.

Available versions

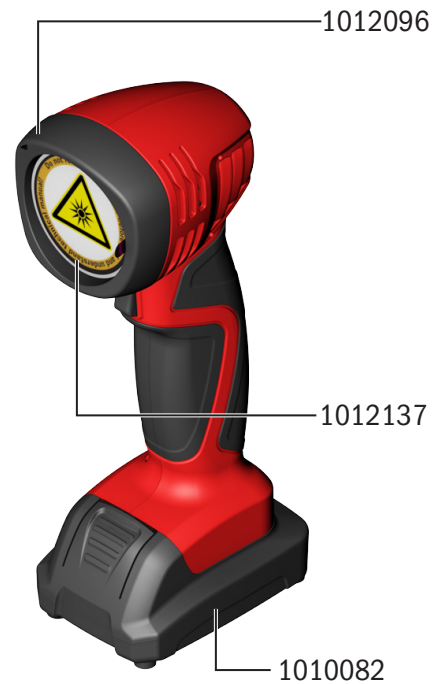
1006411	SATA trueSun, incl. battery charger and battery, EU	
1013094	Storage Case SATA trueSun, incl. foam inlay	
1013151	Foam inlay with pinched inlay for storage case SATA trueSun	

Spare Parts

1012096
Shock protection
1010082
Battery
1012137
Protective glass If protective foil is on the glass, please remove before using!
1007154
Battery charger EU



1007154



1012096

1012137

1010082

All prices are recommended list prices. Errors, technical modifications and printing errors reserved.

SATA® dry jet 2™



SATA dry jet

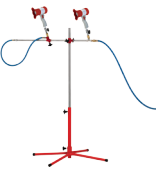
Technical Data

Air consumption: 270 l/min
Inlet pressure: 2.5 bar
Max. inlet pressure: 12.0 bar

Available versions

217489	SATA dry jet 2 blow gun	
--------	-------------------------	---

SATA dry jet stand (adjustable height: 30 - 190 cm)

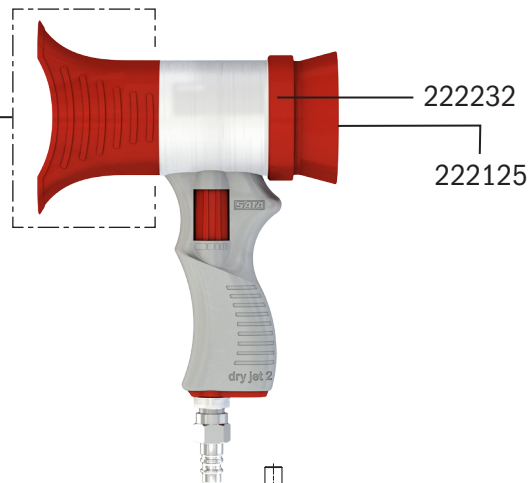
223008	SATA dry jet 2 stand with height-adjustable bracket, 2 blow guns	
84145	Height extension approx. 120 cm, stainless steel for SATA dry jet stand	
86140	Extension for SATA dry jet 97 stand with third blow gun	

Accessories and spare parts

82198	Stand for SATA dry jet without blow guns
83840	Stand, complete, for Vario-Top-Spray and dry-jet, can be disassembled
84145	Height extension approx. 120 cm, stainless steel
86140	Extension for SATA dry jet 97 stand with third blow gun
86165	Conversion kit for SATA dry jet, adjustable version
123786	Cross piece, cpl. for dry-jet 2
222125	Spare flat sieve 125 µm, pastel blue (packing unit 10 pieces)
222232	Filter holder
223834	Flat fan nozzle

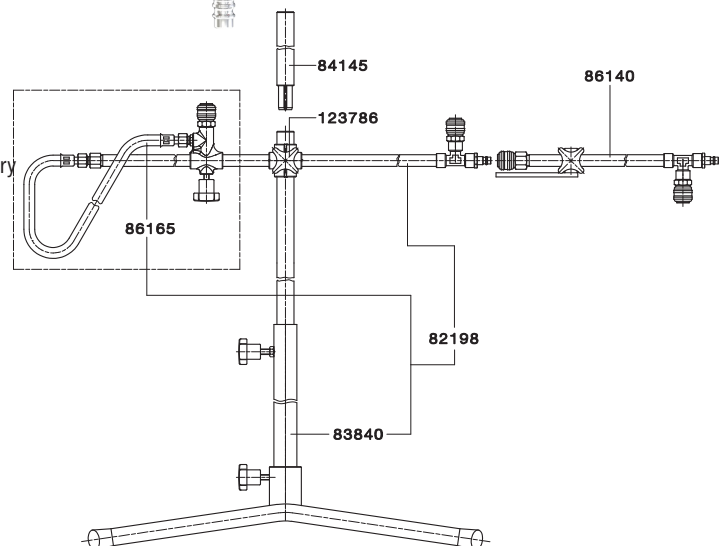
SATA dry jet 2 Art. No. 217489

223834



SATA dry jet stand Art. No. 223008

Illustration without SATA dry jet blow guns



All prices are recommended list prices. Errors, technical modifications and printing errors reserved.

SATA® hoses Part I

Breathing air hoses, cpl. assembled*		
49080	Safety compressed air supply hose CE 10 mm, f. SATA respirators CE version, 6 m long, cpl. according to DIN EN 139/270	
176792	Safety compressed air supply hose CE 10m ø 10 mm DIN EN 139/270 for SATA respirators	
180851	Safety compressed air supply hose CE 40m, 10mm, DIN EN 139/270 for SATA respirators	
Air hoses, cpl. assembled*		
37655	SATA air hose, blue, 9 mm, 6 m with quick coupling, red and nipple	
195420	SATA air hose, blue, 9 mm, 7.5 m with quick coupling, red and nipple	
53090	SATA air hose, blue, 9mm, 10 m with quick coupling, red and nipple	
189068	SATA air hose, blue, 9 mm, 15 m with quick coupling, red and nipple	
9902	SATA air hose, blue, 9 mm, 10 m long, G 1/4" (female thread)	
51300	SATA air hose, blue, 13 mm, 10 m long, G 1/2" (female thread) for SATA vario top spray and FDG with 2. spray gun outlet	
4754	SATA air hose, blue, 6 mm, 10 m long with quick coupling and nipple	
13870	SATA air hose, blue, 9mm, 1.2 m with quick coupling, red and nipple	
Air hoses for design spray guns**		
54353	SATA PVC air hose, transparent, 2 m long with mini quick coupling, nipple with G 1/4" (female thread) and quick coupling nipple for SATAmijet 4400 B, minijet 3000 B and jet 20 B	
32987	SATA PVC compressed air hose, transparent, 3 m long with G 1/4" (female thread), mini quick coupling and nipple for SATAjet 20 B	
134791	SATA Fibre air hose, 2.5 m long with G 1/4" (female thread), mini quick coupling for SATAglyph 1 / 2 / 3 (jet 20 B)	
Hose pairs for SATA paint pressure tanks and SATA vario top spray*		
147520	SATA hose pair 9 x 9 mm, 6 m, with covering fabric netting, G 3/8" and G 1/2" (material), G 1/4" (air) (female thread) for SATA FDG and vario top spray	
147512	SATA hose pair 9 x 9 mm, 10 m, with covering fabric netting, G 3/8" and G 1/2" (material), G 1/4" (air) (female thread) for SATA FDG and vario top spray	
147504	SATA hose pair 9 x 9 mm, 15 m, with covering fabric netting, G 3/8" and G 1/2" (material), G 1/4" (air) (female thread) for SATA FDG and vario top spray	
19869	SATA hose pair 9 x 9 mm, 1.5 m, G 3/8" and G 1/4" (material), G 1/4" (air) (female thread) for SATA mini set 2	
77834	SATA hose pair 9x9mm, 6m, with covering fabric netting, G3/8" and G1/2" (mat., stainless steel), G1/4" (air) (female) SATA FDG + vario top spray	
77842	SATA hose pair 9x9mm, 10m, with covering fabric netting, G 3/8" and G 1/2" (mat., stainless steel), G 1/4" (air) (female)SATA FDG+vario top spray	
77859	SATA hose pair 9x9mm, 15m, with covering fabric netting, G 3/8" and G 1/2" (material, stainless steel), G 1/4" (air) SATA FDG and vario top spray	
160994	Protective Sleeve for hose pair individual 6m	
161000	Protective Sleeve for hose pair individual 10m	
161018	Protective Sleeve for hose pair individual 15m	
7047	Hose clips (10 pieces) for air hose and material hoses, 9 mm	

* SATA hoses are antistatic, with an electrical resistance < 1MΩ and free of substances incompatible with paint

** SATA hoses are free of substances incompatible with paint

All prices are recommended list prices. Errors, technical modifications and printing errors reserved.

SATA® hoses Part II and Quick Couplings

Hose pairs for SATA material pressure tanks and SATAminijet 1000 K		
187708	SATA hose pair 6 x 6 mm, 3 m, G 1/4" (female thread) (material and air) for SATA mini set 2	
187716	SATA hose pair 6 x 6 mm, 6 m, G 1/4" and G 1/2" (material), G 1/4" (air) (female thread) for SATA FDG / SATA vario top spray	
187724	SATA hose pair 6 x 6 mm, 10 m, G 1/4" and G 1/2" (material), G 1/4" (air) (female thread) for SATA FDG / SATA vario top spray	
187732	SATA hose pair 6 x 6 mm, 15 m, G 1/4" and G 1/2" (material), G 1/4" (air) (female thread) for SATA FDG / SATA vario top spray	
Hose pairs and dual hoses for SATA spray mix units*		
19984	SATA spray mix hose pair, 6 x 4 mm, 5 m, G 1/4" (female thread) (material and air)	
19992	SATA spray mix hose pair, 6 x 4 mm, 10 m, G 1/4" (female thread) (material and air)	
20008	SATA spray mix hose pair, 6 x 4 mm, 15 m, G 1/4" (female thread) (material and air)	
1006099	SATA spray mix hose pair, 6 x 4 mm, 15 m long, material connection M16x1.5 (female thread), air connection G 1/4" (female thread)	
1006081	SATA spray mix hose pair, 6 x 4 mm, 10 m long, material connection M16x1.5 (female thread), air connection G 1/4" (female thread)	
1006106	SATA spray mix hose pair, 6 x 4 mm, 5 m long, material connection M16x1.5 (female thread), air connection G 1/4" (female thread)	
97022	SATA spray mix hose pair with covering fabric netting, 6 x 6 mm, 7.5 m, G 1/4" (female thread) (material and air)	
97030	SATA spray mix hose pair with covering fabric netting, 6 x 6 mm, 15 m, G 1/4" (female thread) (material and air)	
Hose pairs for release agent system*		
64659	SATA hose pair 4 x 6 mm, 3 m, solvent-resistant for release agent spray gun SATAminijet 3000 B T	
64998	SATA hose pair 4 x 6 mm, 3 m, not solvent-resistant for release agent spray gun SATAminijet 3000 B T	
Air hoses, unassembled*		
50252	SATA air hose, blue, 9 mm, 6 m	
50591	SATA air hose, blue, 9 mm, 10 m	
50641	SATA air hose, blue, 9 mm, 15 m	
Material hoses, unassembled*		
49155	SATA material hose, green 9 mm, 6 m	
49999	SATA material hose, green, 9 mm, 10 m	
50161	SATA material hose, green, 9 mm, 15 m	
Individual components for the quick coupling system		
6981	SATA quick coupling nipple G 1/4" (female thread) (packing unit 5 pieces)	
7237	SATA quick coupling, red with hose olive 9mm and quick coupling nipple G 1/4" (female thread) (each 2 pieces)	
13615	SATA quick coupling 1/2" (male thread)	
13649	SATA quick coupling with hose olive 6 mm	
13631	SATA quick coupling, red, with hose olive 9 mm	
13623	SATA quick coupling 1/4" (male thread)	
13599	SATA quick coupling G 1/4" (female thread)	
13607	SATA quick coupling G 3/8" (male thread)	
13581	SATA quick coupling G 3/8" (female thread)	
13565	Connection piece 103/6 f. SATA quick coupling 103/6 f. 6 mm inside dia.	
13557	Hose olive 9 mm for air quick coupling	
13524	Nipple 1/8" (male thread) for SATA quick coupling	
53942	Nipple G 1/4 f. GS respirator, UBE + blow-off gun, size 14	
13508	Nipple 3/8" (male thread) for SATA quick coupling	
13516	Nipple G 3/8" (female thread) for SATA quick coupling	

All prices are recommended list prices. Errors, technical modifications and printing errors reserved.

SATA® Painting Overalls

SATA suit race		
184267	SATA suit race, size S (42/44), 98% Polyester, 2% Carbon	
184275	SATA suit race, size M (46/48), 98% Polyester, 2% Carbon	
184283	SATA suit race, size L (50/52), 98% Polyester, 2% Carbon	
184291	SATA suit race, size XL (54/56), 98% Polyester, 2% Carbon	
184309	SATA suit race, size XXL (58/60), 98% Polyester, 2% Carbon	
SATA suit space		
212035	SATA suit space, size S (42/44)	
212043	SATA suit space, size M (46/48)	
212050	SATA suit space, size L (50/52)	
212068	SATA suit space, size XL (54/56)	
212076	SATA suit space, size XXL (58/60)	
SATA suit grey		
221416	SATA suit grey, size M (48/50)	
143255	SATA suit grey, size L (50/52)	
5470	SATA suit grey, size XL (54/56)	
221440	SATA suit grey, size XXL (58/60)	
SATA suit white		
221432	SATA suit white, size M (46/48)	
129460	SATA suit white, size L (50/52)	
129445	SATA suit white, size XL (54/56)	
221424	SATA suit white, size XXL (58/60)	

All prices are recommended list prices. Errors, technical modifications and printing errors reserved.